

ARKANSAS DEPARTMENT OF ENVIRONMENTAL QUALITY
NOTICE OF INTENT
INDIVIDUAL TREATMENT FACILITIES
NPDES GENERAL PERMIT ARG550000

Application Type: New Renewal (Permit # ARG55 _____)

I. PERMITTEE/OPERATOR INFORMATION

Permittee (Legal Name): Scott Galloway Operator Type:
Permittee Mailing Address: 618 Hunters Grove State Partnership
Permittee City: Houston Federal Corporation*
Permittee State: Texas Zip: 77024 Sole Proprietorship/Private
Permittee Telephone Number: 713-851-9697 *State of Incorporation: _____
Permittee Fax Number: NA The legal name of the Permittee must be
Permittee E-mail Address: scott(underscore)galloway@comcast.net identical to the name listed with the
Arkansas Secretary of State.

II. INVOICE MAILING INFORMATION (Home owners are exempt.)

Invoice Contact Person: N/A City: _____
Invoice Mailing Company: _____ State: _____ Zip: _____
Invoice Mailing Address: _____ Telephone: _____

III. FACILITY INFORMATION

Facility Name: Galloway Property Facility Contact Person: Scott Galloway
Facility Address: 528 Beck Bull Road Telephone Number: 713-851-9697
Facility County: Arkansas Facility City, State & Zip: Stuttgart, Arkansas 72160
Facility Latitude: 34 Deg 35 Min 46.52 Sec Facility Longitude: 91 Deg 32 Min 49.18 Sec
Datum: _____
Accuracy: _____ Method: _____ Scale: _____ Description: _____

IV. DISCHARGE INFORMATION

Outfall Number: 001 Flow: 745 gpd (Gallons per Day)
Stream Segment: 3B Hydrologic Basin Code: 802 04 02
Outfall Latitude: 34 Deg 35 Min 50.17 Sec Outfall Longitude: 91 Deg 32 Min 49.07
Datum: _____
Accuracy: _____ Method: _____ Scale: _____ Description: _____
Type of Treatment: Bio Microbics Microfasst 0.75 with UV and Post Aeration
Receiving Stream: Arkansas River

V. FACILITY PERMIT INFORMATION

NPDES Individual Permit Number (If Applicable): AR00
NPDES General Permit Number (If Applicable): ARG
State Construction Permit Number: _____
NPDES General Construction Stormwater Permit Number (If Applicable): ARR15

WATER DIVISION
5301 NORTHSHORE DRIVE / NORTH LITTLE ROCK, ARKANSAS 72118
PHONE 501-682-0623 / FAX 501-682-0880
www.adeq.state.ar.us

VI. OTHER INFORMATION:

Operator Name: David Meints
Operator License Number: 009055 License Class: III
Consultant Contact Name: David Meints
Consultant Email Address: david@meincowastewater.com
Consultant Address: PO Box 1001 City: Bryant State: AR Zip: 72089
Consultant Phone Number: 501-804-0837 Consultant Fax Number: 501-821-4048

Has this treatment system been approved by AHD? Yes No

Disclosure Statements:

Arkansas Code Annotated Section 8-1-106 requires that all applicants for the issuance or transfer of any permit, license, certification or operational authority issued by the Arkansas Department of Environmental Quality (ADEQ) file a disclosure statement with their applications. The filing of a disclosure statement is mandatory. No application can be considered complete without one. You must submit a new disclosure statement even if you have one on file with the Department. The form may be obtained from ADEQ web site at: http://www.adeq.state.ar.us/disclosure_stmt.pdf.

VII. CERTIFICATION OF OPERATOR

DM (Initial) "I certify that, if this facility is a corporation, it is registered with the Secretary of the State of Arkansas."
DM (Initial) "I certify that the cognizant official designated in this Application is qualified to act as a duly authorized representative under the provisions of 40 CFR 122.22(b). If no cognizant official has been designated, I understand that the Department will accept reports signed only by the Applicant."
DM (Initial) "I certify under penalty of law that this document and all attachments were prepared under my direction or supervision in accordance with a system designed to assure that qualified personnel properly gather and evaluate the information submitted. Based on my inquiry of the person or persons directly responsible for gathering the information, the information submitted is, to the best of my knowledge and belief, true, accurate, and complete. I am aware that there are significant penalties for submitting false information, including the possibility of fine and imprisonment for knowing violations."

Responsible Official Printed Name: Scott Galloway Title: Owner
Responsible Official Signature: [Signature] Date: 11/2/22
Responsible Official Email: scott_galloway@comcast.net
Cognizant Official Printed Name: David Meints Title: Class III Operator
Cognizant Official Signature: [Signature] Telephone: 501-804-0837
Cognizant Official Email: david@meincowastewater.com

X. PERMIT REQUIREMENT VERIFICATION

Please check the following to verify completion of permit requirements.

	Yes	No	* If No is answered for any of the questions, then a permit can not be issued!
Submittal of Complete NOI?	<input checked="" type="checkbox"/>	<input type="checkbox"/>	
Submittal of Required Permit Fee?	<input type="checkbox"/>	<input checked="" type="checkbox"/>	Check Number: _____
Submittal of AHD Form EHP-19?	<input checked="" type="checkbox"/>	<input type="checkbox"/>	
Submittal of Site Map?	<input checked="" type="checkbox"/>	<input type="checkbox"/>	

Submittal of Disclosure
Statement?

Legend

📍 528 Beck-Bull Rd

🌿 CACHE RIVER NATIONAL



POD

528 Beck-Bull Rd

POE



Arkansas Department of Health
Environmental Health Protection

Plan Review Number
24495006

Non-Individual Onsite Wastewater System Permit Application

Permit Type New Installation Alteration / Repair

DR Environmental I.D. #

6 3 0 1 1 1 7 0 1 1

Part 1 Treatment Type (check one)

- STD = Standard Septic Tank
- ISF = Intermittent Sand Filter
- PMF = Proprietary Media Filter
- OTH = Other (Describe)

- ATU = Aerobic Treatment Plant
- RSF = Re-circulating Sand Filter
- RGF = Re-circulating Gravel Filter
- HLD = Holding Tank

Disposal Method (check one)

- STD = Standard Absorption Field
- SUR = Surface Discharge
- CPF = Capping Fill
- OTH = Other

- LPD = Low Pressure Distribution
- HLD = Holding Tank
- SRL = Serial Distribution
- DRP = Drip Irrigation

1. Owner's/Applicant's Name Scott Galloway		2. Phone Number 713-851-9697	
3. Mailing Address 618 Hunters Grove, Houston, Texas 77024		4. County Prairie	
5. Address of Proposed System (If a 911 address is not available, attach detailed directions or map.) 528 Beck Bull, Stuttgart, AR 72160			
6. Subdivision Name n/a	7. Approval Date n/a	8. Date Recorded n/a	9. Lot Number n/a
10. Lot Dimensions 2683' x 5331'	11. Total Area (Acres) 328.26	12. # Bedrooms # People 3 br +3 cottages +10 people	13. Daily Flow (GPD) 745
14. Brief Legal Description of Property (Attach a separate sheet of paper if necessary.) E1/2, S21-T1S-R15W			
15. Water Supply (Specify supplier if Public Water.) Grand Prairie		16. GPS Coordinates 34.596867, 91.546944	
17. Loading Rates	gpd /ft ²	18. System Size	
Primary Site	n/a	a. Size of Septic Tank	ATU gal
Secondary Site	n/a	b. Size of Dose Tank	n/a gal
Percolation Test	(mlr/in)	c. Absorption Area	n/a ft ²
Primary Site Ave	n/a	d. Number of Field Lines	n/a
Secondary Site	n/a	e. Length of Field Lines	n/a ft
		f. Trench Depth	n/a Inches
		g. Trench Spacing	n/a feet
		h. Trench Media	
		i. Trench Width	n/a in.
			n/a in.

TO THE OWNER
The authorization for construction may be deemed invalid by the local Environmental Health Specialist before the start of construction, if the site and/or soil conditions have changed after authorization, or if the information within this application/document is inaccurate or has been found to be misrepresented. If operational approval is granted, said approval states that the system described in this application/document was designed and installed according to the Arkansas Department of Health, Rules and Regulations Pertaining to Onsite Wastewater Systems, unless there are exceptions or deviations noted in the comments. Approval for Operation does not constitute a guarantee that the system will function properly under all conditions. Authorization for Construction is valid for one (1) year from the date of approval. The authorized agent or the original system designer (at the discretion of the Agency) must revalidate a permit more than one (1) year old prior to the start of any construction.

19. Utilization Verification
I hereby attest that item 12, the number of bedrooms, or number of persons (commercial only) or daily flowrate, (gallons per day) of the structures that will utilize the non- individual onsite wastewater system in this application, is accurate. I have reviewed and understand the type of system submitted in this application/document relating but not limited to: layout, installation, maintenance, and operation.

Owner/Applicant Signature Scott Galloway Date 7/16/21

20. I certify that I have conducted the above tests and that the above listed information is in accordance with the latest requirements of the Arkansas Department of Health Rules and Regulations Pertaining to Onsite Wastewater Systems.

Designated Representative Signature Scott Krupicki ID Number 6301117011 Soil Certified Yes No

Print Name Scott Krupicki Date 7-10-2021 Phone Number 501-776-7702

21. Authorization of Health Authority
The information and specifications contained in this application/document have been reviewed and found to meet the requirements of the Arkansas Department of Health Rules and Regulations Pertaining To Onsite Wastewater Systems. AUTHORIZATION FOR CONSTRUCTION is hereby issued.

Environmental Specialist Signature [Signature] ID Number #1828 Date 7/26/21



Arkansas Department of Health
Environmental Health Protection

Plan Review Number

22. Soil Determination (Primary Area) Indicate the depth to items a-f, if observed in the soil, designate in inches.							
a. Bedrock	b. BSWT	c. MSWT	d. LSWT	e. Adj. MSWT	f. Adj. LSWT	g. H.C./Depth	h. Loading Rate (GPD/ft ²)
n/a	0"	12"	18"	n/a	n/a	48"	not suitable

23. Soil Determination (Secondary Area) Indicate the depth to items a-f, if observed in the soil (designate inches).							
a. Bedrock	b. BSWT	c. MSWT	d. LSWT	e. Adj. MSWT	f. Adj. LSWT	g. H.C./Depth	h. Loading Rate (GPD/ft ²)
n/a	0"	12"	18"	n/a	n/a	48"	not suitable

24. Soil Profile Information			
Primary Site (SWT)	Matrix	Redoximorphic Features	Soil Texture
Brief 0 inches		2.5YR 5/8	CL
Mod. 12 inches		10YR 6/2	CL
Long 18 inches		Clay>50%	CL
Secondary Site (SWT)	Matrix	Redoximorphic Features	Soil Texture
Brief 0 inches		2.5YR 5/8	CL
Mod. 12 inches		10YR 6/2	CL
Long 18 inches		Clay>50%	CL

25. Soil Series
(Do not use Soil Series to determine Seasonal Water Tables)

26. Percolation Test (min/in)				
Primary Site Rate for Hole 1 n/a	Primary Site Rate for Hole 2 n/a	Primary Site Rate for Hole 3 n/a	Primary Site Average Percolation Rate (1-3) n/a	Secondary Site Percolation Rate n/a

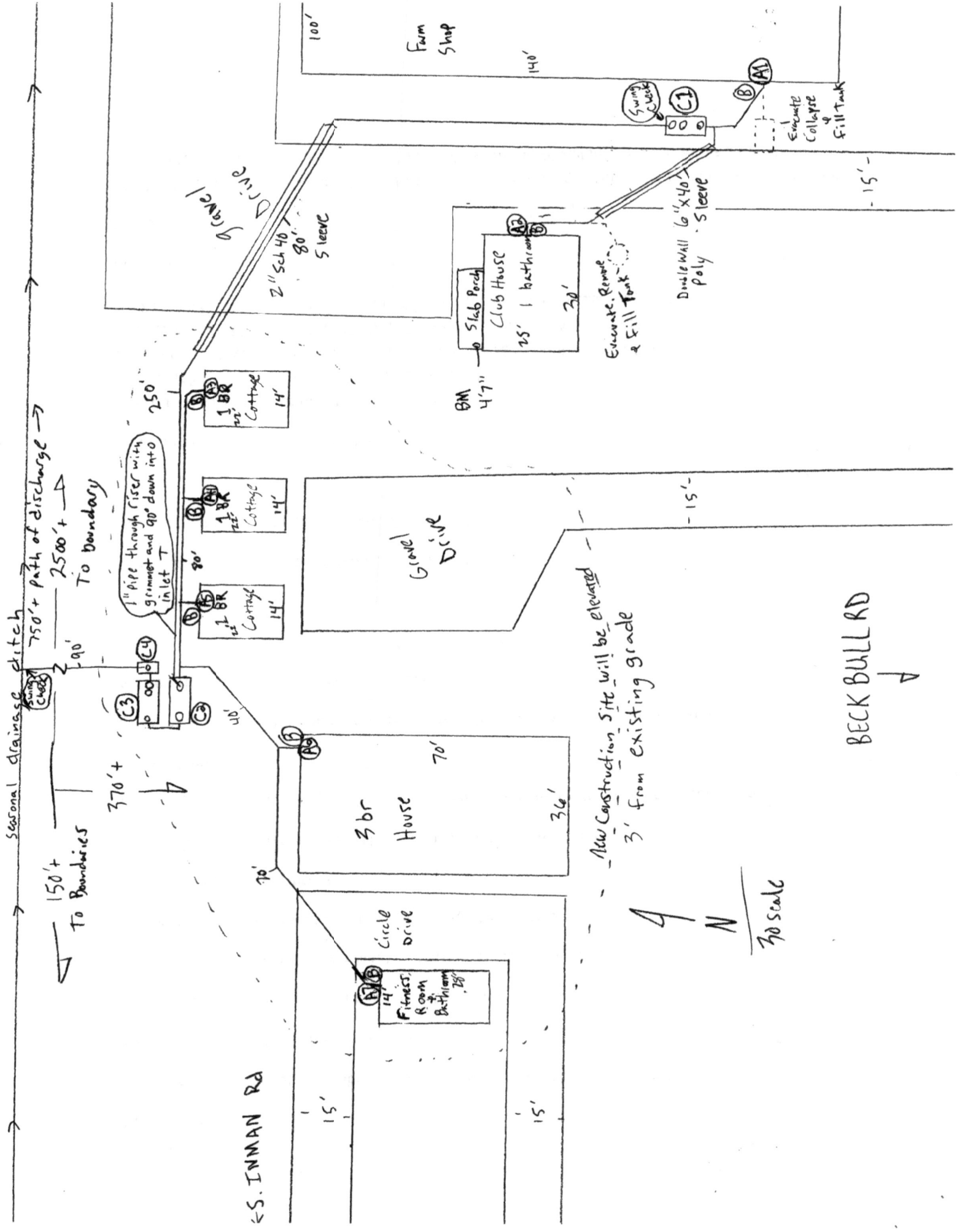
Comments Existing Farm shop with 10 employees and clubhouse combining flows with new 3 bedroom home, fitness room with bathroom and 3 cottages. The new construction will have a pad built 3' above existing grade allowing necessary fall between stub outs and tanks without burying tanks deep into original soil. ATU with UV disinfectant and surface discharge requires NPDES permit and maintenance contract.

Part 2 Installation Inspection

Septic tank manufacturer	Other information
Septic tank material	Trench media and width
Dose tank manufacturer	Depth of interceptor drain
Dose tank material	Depth of settled fill
Pump Information	
Name of Installer	License Number
Installation Inspected by <input type="checkbox"/> Environmental Health Specialist <input type="checkbox"/> Designated Representative (original submitter)	
Signature	ID Number Date
System Installation Verification I have installed this system as designed and in compliance with all Rules and Regulations Pertaining to Onsite Wastewater Systems.	
Installer Signature	ID Number Date

Part 3 Permit for Operation

The information contained in Part 1 and 2 of this form has been reviewed and found to meet the requirements of the Arkansas Department of Health. THE PERMIT FOR OPERATION of this system is hereby issued.			
Environmental Health Specialist	Signature	ID Number	Date
Comments			
Site Revalidation conducted by <input type="checkbox"/> Environmental Health Specialist <input type="checkbox"/> Designated Representative (original submitter)			
Signature	ID Number	Date	



Drawing notes

A1= Farm shop stub out A2=Clubhouse stub out A3, A4, A5= Cottage stub outs

A6=House stub out A7=Fitness room stub out

B = 4" two way clean out installed outside of structure

C1 = Install 1000/250 gallon combination tank with water tight risers to surface

C2 = Install 1500 gallon septic tank with water tight risers to surface

C3 = Install ATU to specification

C4 = Install 250 gallon dose tank with water tight risers to the surface

D = Daylight surface discharge 12" below top of drainage ditch with swing check valve at end

I = Unsuitable soil pit

J = Proposed water service line. Must be 10' away from any part of the septic system

K = Benchmark is top of back porch slab at clubhouse

Pipe Specifications

Use 4" schedule 40 from all stub outs to tank inlets

Use 1" schedule 40 from pumps to discharge points

Elevations (ground/installed flow line)

Stub out A1=5'2"/6'3" Stub out A2=4'11"/5'11"

Tank C1 inlet 5'0"/6'6" outlet 5'2"/9'6" (pump intake)

Stub out A3, A4, and A5=5'6"/5'10" Stub out A6=5'5"/6'5" Stub out A7= 5'3"/5'7"

Tank C2 Inlet=5'8"/7'0" outlet=5'8"/7'3" Tank C3 inlet=5'8"/ 7'4" outlet=5'8"/8'5"

Tank C4 inlet=5'8"/8'6" outlet 5'8"/ 11'6" (pump intake) Point of discharge=5'10"/6'10"

Benchmark = 4'7"

Pump notes

C1-The dose tank volume equals 5.68 gallons per inch and the operating point of pump delivers 8 gallons per minute. Set the pump floats to draw down 4" delivering 24 gallons per dose with a 3 minute run time

C1-The dose tank volume equals 5.68 gallons per inch and the operating point of pump delivers 12 gallons per minute. Set the pump floats to draw down 6" delivering 36 gallons per dose with a 3 minute run time

-Drill 1/4" weep hole in discharge risers above low water level in dose chambers

C1-The dose tank volume equals 5.68 gallons per inch and the operating point of pump delivers 12 gallons per minute. Set the pump floats to draw down 6" delivering 36 gallons per dose with a 3 minute run time

-Drill 1/4" weep hole in discharge risers above low water level in dose chambers

EXISTING GRAVEL COUNTY ROAD

S 88°45'27"E

5366.2'

16

15

2683.1'

52.7'

12.8'

SET ROD
ON S. SOUTH
CORNER

21

22

EXIST. R/R SPIKE
AS RECOVERED BY
R.L.S. 1733

TRACKS REMOVED
FORMER C.R.J. & P. RAILROAD

INMAN ROAD

E1/2, SEC. 21
T1S-R5W
328.26 ACRES



EXISTING GRAVEL & DIRT ACCESS ROAD

S 01°53'44"W 5331.3'

APROX. CENTERLINE

140
S

INMAN ROAD

21

22

2680.9'

2640.1'

5361.8'

88°46'47"W

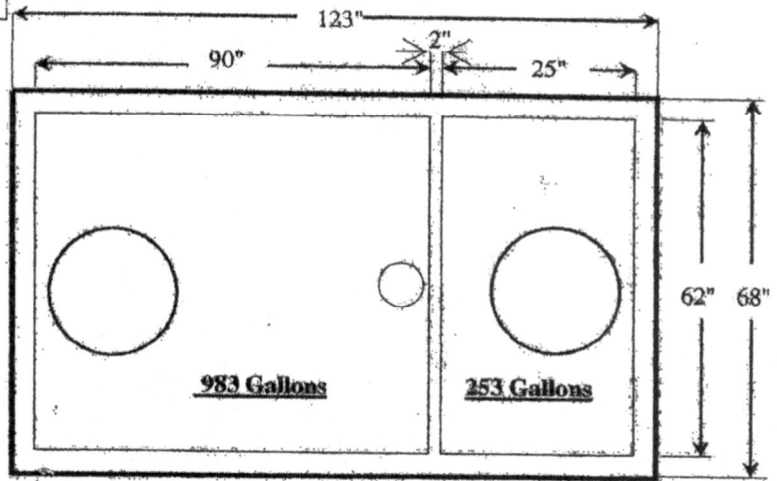
ROAD

28

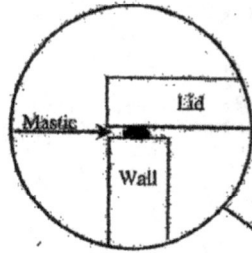
27

Tank C1

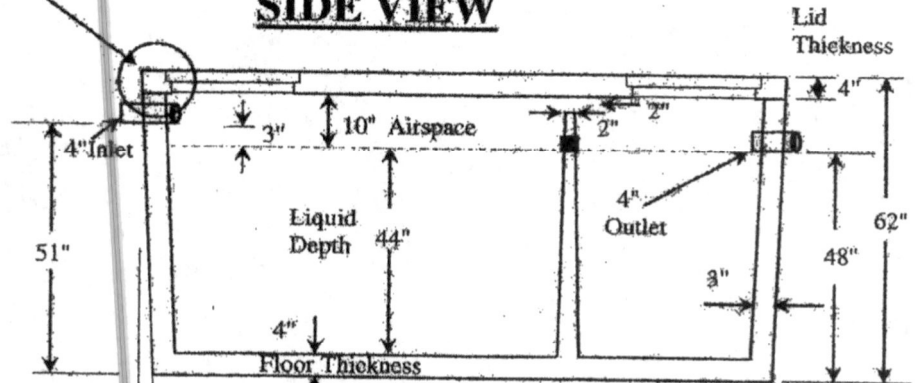
1000 - Gallon Single Compartment W/250 Pump Tank **TOP VIEW** Drawings Not To Scale



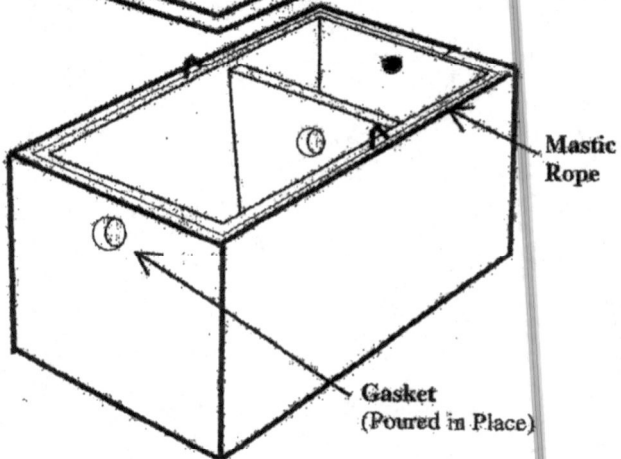
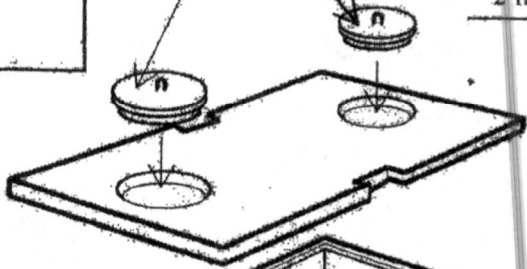
Enlarged Detail



SIDE VIEW



Manhole Lids/Openings



WHITTEN CONCRETE CO.
2703 W. 2nd AVE.
PINE BLUFF, AR. 71601
PHONE: 870-534-6901
FAX: 870-534-6902

1000 - Single Compartment W/250 Pump Tank
Drawing #: DZ-2
Drawing by: SMR Date: 1/19/2011

Pump C1



System Head Curve and Pump Selection Tool

Static Head Information
 Static Head - elevation difference from low water to outfall
 System high point above outfall?

33.3 feet
16

Friction Head Information
 Pipe
 How many different pipes in the system (not counting laterals)?

250 feet
1
1.5 inches
SCH 40

Pressurized Laterals? No

Fittings & Discharge Assemblies

Type	Size	Quantity	Flow
90 Elbow	1.172 inches	1	100 %
Check Valve	1.172 inches	1	100 %

Special Friction Considerations

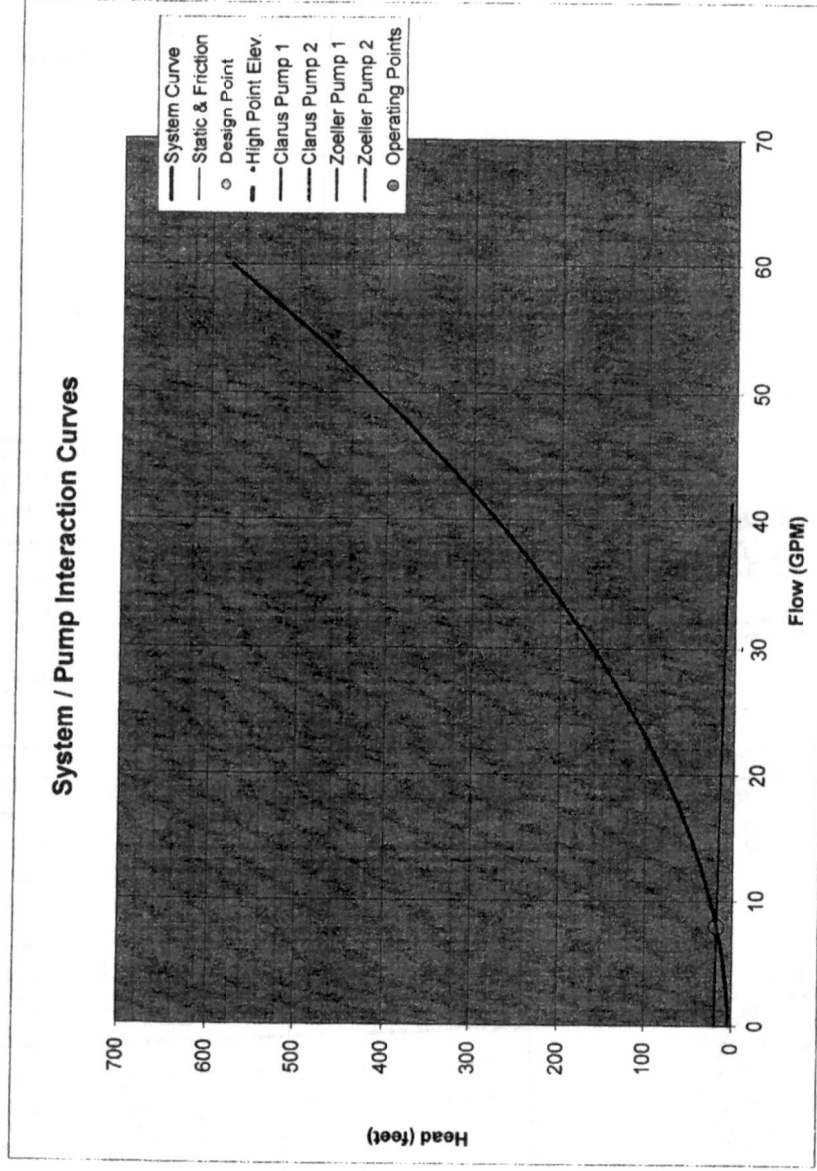
Weep Hole: Yes No (1/4")
 Add-In Friction: 15 % of Pipe Loss
 Automatic Multizone Valve? No
 Pressure Filter? No

Operating Head Information

System Type: Non-Pressurized
 Specify Flow Requirement? No

Factors and Coefficients

Hazen-Williams C Factor: 130
 Discharge Coefficient (Cd): 0.81
 Lateral Design Mode: Off



NOTE: THE DISPLAYED PUMP CURVES HAVE BEEN ADJUSTED TO ACCOUNT FOR THE EFFECT OF THE WEEP HOLE

Pump Selection	60 Hz	Frequency	Operating Points
Clarus Environmental Pumps			
Clarus Pump 1			
Clarus Pump 2			
Zoeller Pump Company Pumps			
Zoeller Pump 1	59/55/57/59	0.5hp, 60Hz	6.0 GPM @ 17.2'
Zoeller Pump 2			

Curve Zoom Range: 60 GPM

Project Data	Notes
Project Name:	
Project Address:	
Contact Info:	

Your Peace of Mind is Our Top Priority®

Product information presented here reflects conditions at time of publication. Consult factory regarding discrepancies or inconsistencies.

Pump C1



PUMP COMPANY

Zoeller Family of Water Solutions™

SECTION: 2.15.020

FM2778

0515

Supersedes

0315

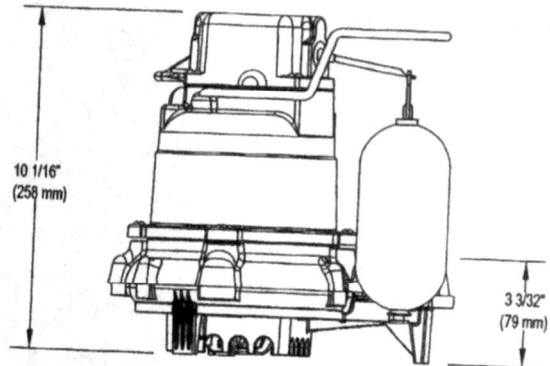
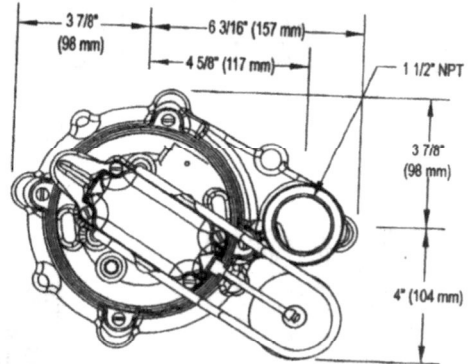
TECHNICAL DATA SHEET

MIGHTY-MATE SERIES

*Cast Iron Models 53, 57 and Bronze Models 55, 59
Submersible Effluent / Dewatering Pumps*

PRODUCT SPECIFICATIONS

MOTOR	Horse Power	3/10	
	Voltage	115 or 230	
	Phase	1 Ph	
	Hertz	60 Hz	
	RPM	1550	
	Type	Shaded pole	
	Insulation	Class B	
	Amps	4.8 - 9.7	
	PUMP	Operation	Automatic or nonautomatic
		Auto On/Off Points	7-1/4" (18.4 cm) / 3" (7.6 cm)
		Discharge Size	1-1/2" NPT
Solids Handling		1/2" (12 mm) spherical solids	
Cord Length		9' (3 m) automatic, 15' (5 m) nonautomatic	
Cord Type		UL listed, 3-wire, grounded plug	
Max. Head		19.25' (5.9 m)	
Max. Flow Rate		43 GPM (163 LPM)	
Max. Operating Temp.		130° F (54° C)	
Cooling		Oil filled	
Motor Protection		Auto reset thermal overload	
MATERIALS	Cap	Cast iron or bronze	
	Motor Housing	Cast iron or bronze	
	Pump Housing	Cast iron or bronze	
	Base	Cast iron, bronze or engineered thermoplastic	
	Upper Bearing	Sleeve bearing	
	Lower Bearing	Sleeve bearing	
	Mechanical Seals	Carbon and ceramic	
	Impeller Type	Non-clogging vortex	
	Impeller	Plastic, cast iron or bronze	
	Hardware	Stainless steel	
	Motor Shaft	AISI 1215 cold rolled steel	
Gasket	Neoprene		



SK858

NOTE: See model comparison chart for specific details.



Tested to Standard UL778 and Certified to CSA Standard C22.2 No. 108





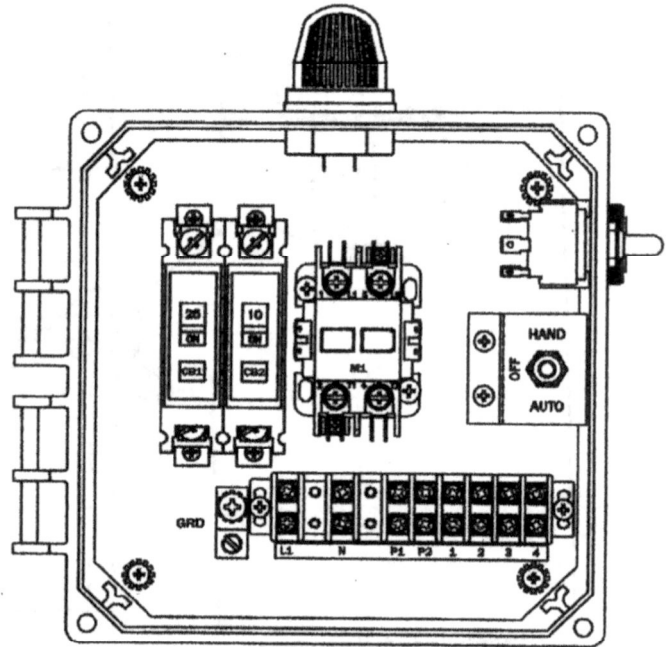
Panel C1

CONTROL PANEL

“50A001-B” Basic Model Simplex 115V 1 Phase Control Panel

Features & Benefits

- Circuit Breaker for Pump Circuit
- Definite Purpose Contactor
- Easy to Access Terminal Block
- Usable with 115 VAC
- Alarm Run-Mute-Test Switch
- Externally Mounted Audible Alarm
- Pump Hand-Off-Auto Switch
- External Alarm Light
- Control Circuit Breaker
- Ground Lug
- Color Coded Internal Wiring
- Rugged Weather Resistant Hinged Poly Enclosure
- Built and Labeled to UL 508A Standard w/Nema 4x Rating
- Provided with Wiring Schematic and Detailed Connection Diagram for Installer
- Mounting Feet for Enclosure



(Standard 50A001-B Shown)

Available Options(*)

- Customer Specific Float Configuration
- IEC Motor Contactor
- Flasher
- 7 Conductor Cable Terminal Block Configuration
- Auxiliary Alarm Contacts
- Elapsed Time Meter
- Event or Cycle Counter
- Mercury or Mechanical Float Switches for the Pump and High Water Alarm Circuits



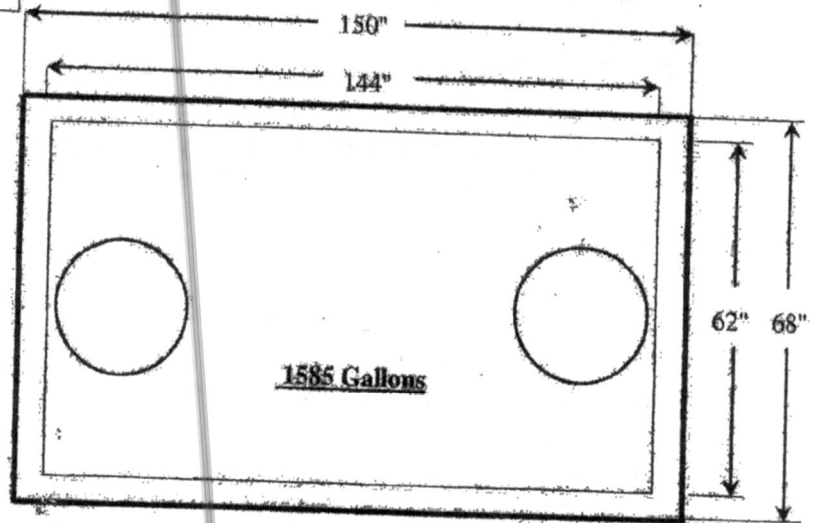
*Note: Consult the factory for other available options. Also some options may require an increase in the enclosure size.

199K L2

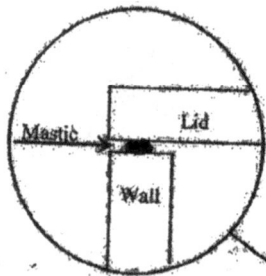
1500 - Gallon Single Compartment Septic Tank

TOP VIEW

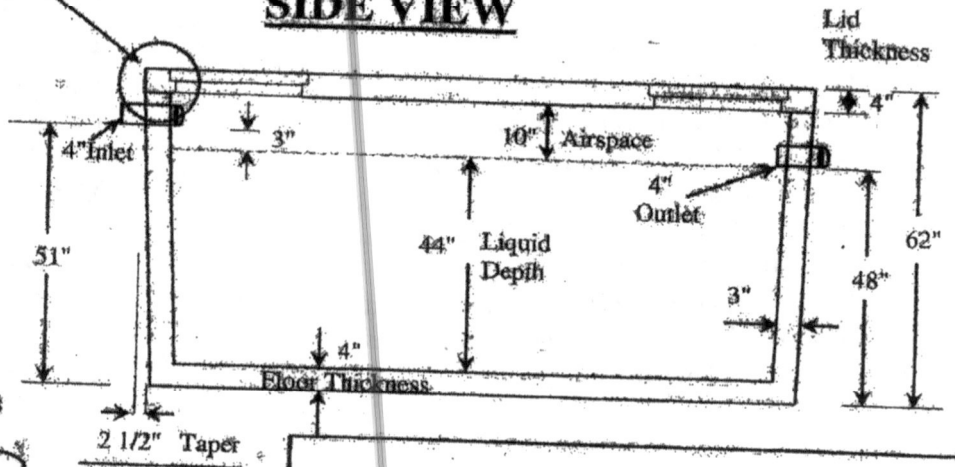
Drawings Not To Scale



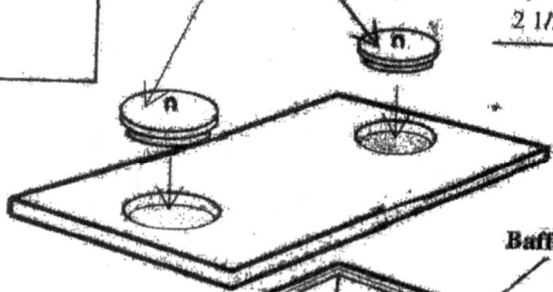
Enlarged Detail



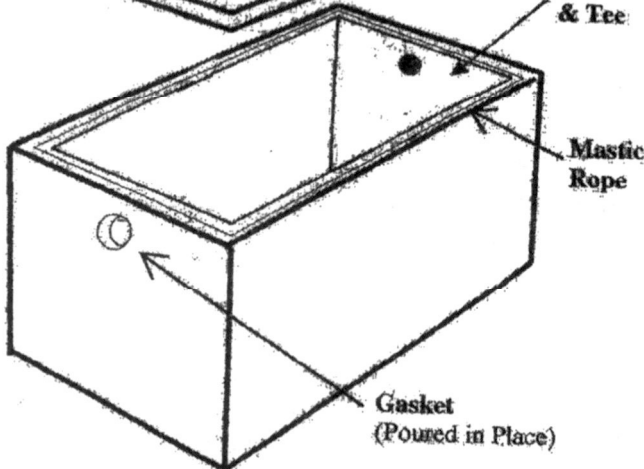
SIDE VIEW



Manhole Lids/Openings



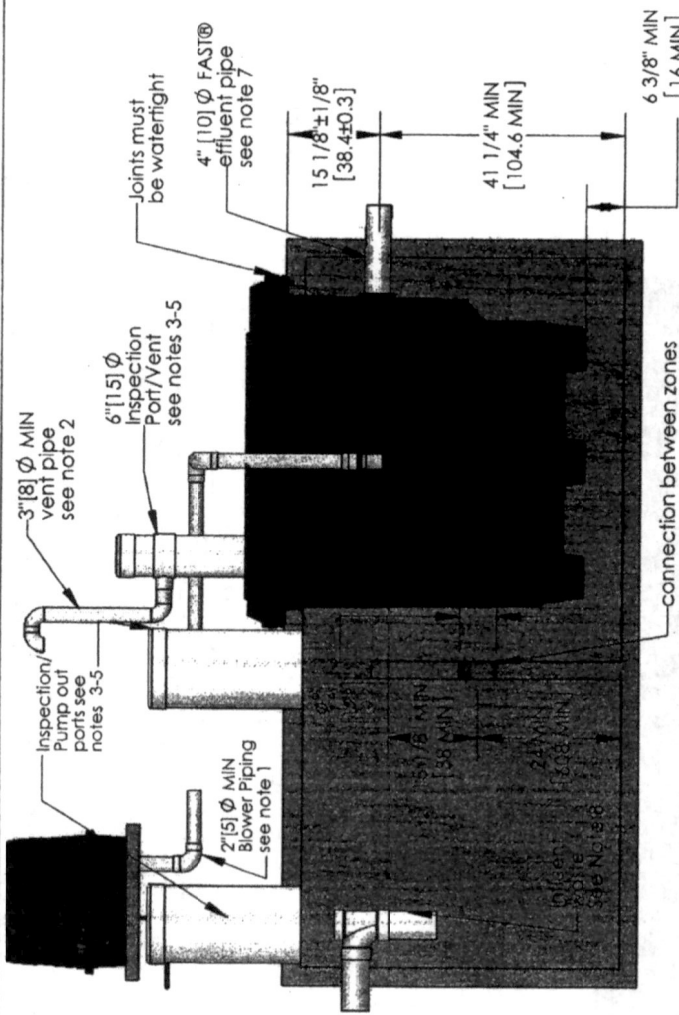
Baffle Or Filter & Tee



WHITTEN CONCRETE CO.
 2703 W. 2nd AVE.
 PINE BLUFF, AR. 71601
 PHONE: 870-534-6901
 FAX: 870-534-6902

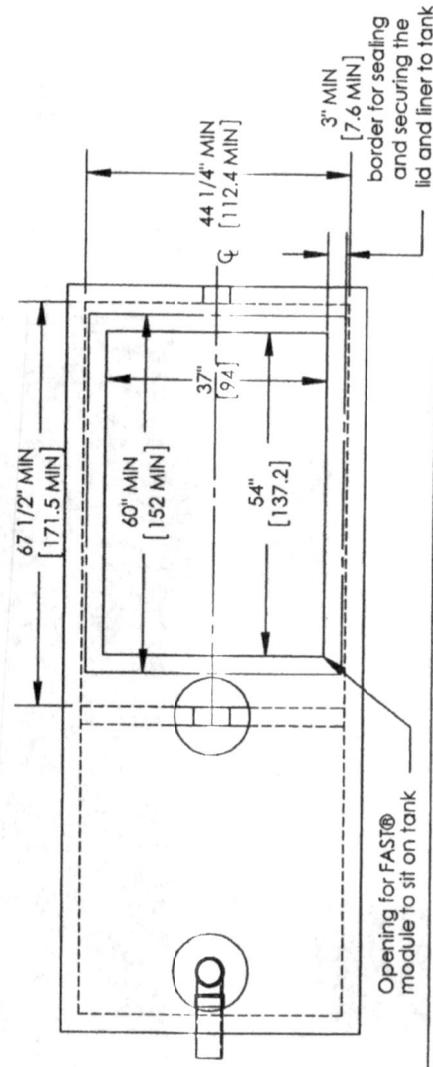
1500 - Gallon Single Compartment Septic Tank
 Drawing #: DZ-2
 Drawing by: SMR Date: 1/19/2011

Tank C3



Settling Zone
375 Gallon MIN [1700L MIN]

Treatment Zone
625 Gallon MIN [2400L MIN]



Opening for FAST® module to sit on tank

NOTES

- Airline piping to FAST® may not exceed 100 FT [30m] total length and have a maximum of 4 elbows in the piping system. For distances greater than 100 FT [30m] consult factory. Blower must be located above flood levels on a concrete base 26" X 20" X 2" [65 X 50 X 5cm] min.
- Vent to desired location and cover opening with a vent grate with at least 7 sq in. [45 sq. cm] open surface area. Secure with stainless steel screws. Vent piping must not allow condensate build up or create back pressure. Vent must be above finished grade or higher (see sheet 4 of 4).
- All appurtenances to FAST® (e.g. tanks, access ports, electrical, etc.) must conform to all applicable country, state, province, and local plumbing and electrical codes. Pump out access shall be adequate to thoroughly clean out both zones.
- All inspection, viewing and pump out ports must be secured to prevent accidental or unauthorized access.
- Tank, piping, conduit, etc. are provided by others. Blower control system by Bio-Microbics, Inc. See Installation Manual.
- If less than the specified minimums are considered necessary, consult factory for guidance.
- All piping and ancillary equipment installed after FAST must not impede or restrict free flow of effluent.
- The tank(s) shall be designed to prevent air passage between the settling zone/tank and the treatment zone and preventing an air lock. Examples include a baffle wall sealed to the lid or treatment zone inlet line with a pipe cap. Consult factory for guidance.
- Installations using a FAST® system lid are capable of withstanding AASHTO H-10 equivalent loads. Any installation in which a FAST lid is buried deeper than 3 feet, or where additional loading conditions may occur, a professional engineer should be consulted. FAST® with feet option should be considered. Refer to Installation Manual for more details.
- Specialized treatment levels may require specific features to be incorporated into the design. Consult factory for guidance.

DO NOT SCALE
UNLESS NOTED
DIMENSIONS
ARE IN INCHES
(CENTIMETERS)
TOLERANCES
± 0.02 IN/IN
[± 0.05 CM/CM]



MicroFAST 0.75 FAST Unit

WEIGHT	SIZE	DRAWING NUMBER	SHEET 1 OF 4
NAME	DATE	A	
DRAWN	CIC	12/18/2008	MicroFAST® 0.75 with lid
CHECKED	PF	9/18/2013	REV. INI-07-D

THE INFORMATION CONTAINED IN THIS DRAWING IS THE SOLE PROPERTY OF BIO-MICROBICS INC. ANY REPRODUCTION IN PART OR AS A WHOLE WITHOUT THE WRITTEN PERMISSION OF BIO-MICROBICS INC. IS PROHIBITED. DESIGN AND INVENTION RIGHTS ARE RESERVED. IN THE INTEREST OF TECHNOLOGICAL ADVANCEMENT, ALL PRODUCTS ARE SUBJECT TO DESIGN AND OR MATERIAL CHANGE WITHOUT NOTICE.

BIO-MICROBICS © 2013

NOTES:
 1. Airline piping to FAST® may not exceed 100 FT (30m) total length and have a maximum of 4 elbows in the piping system. For distances greater than 100 FT (30m) consult factory. Blower must be located above flood levels on a concrete base 26" X 20" X 2" [65 X 50 X 5cm] min.

2. Vent to desired location and cover opening with a vent grate with at least 7 sq in. [45 sq. cm] open surface area. Secure with stainless steel screws. Vent piping must not allow condensate build up or create back pressure. Vent must be above finished grade or higher (see sheet 4 of 4).

3. All appurtenances to FAST® (e.g. tanks, access ports, electrical, etc.) must conform to all applicable country, state, province, and local plumbing and electrical codes. Pump out access shall be adequate to thoroughly clean out both zones.

4. All inspection, viewing and pump out ports must be secured to prevent accidental or unauthorized access.

5. Tank, piping, conduit, etc. are provided by others. Blower control system by Bio-Microbics, Inc. See Installation Manual.

6. If less than the specified minimums are considered necessary, consult factory for guidance.

7. All piping and ancillary equipment installed after FAST must not impede or restrict free flow of effluent.

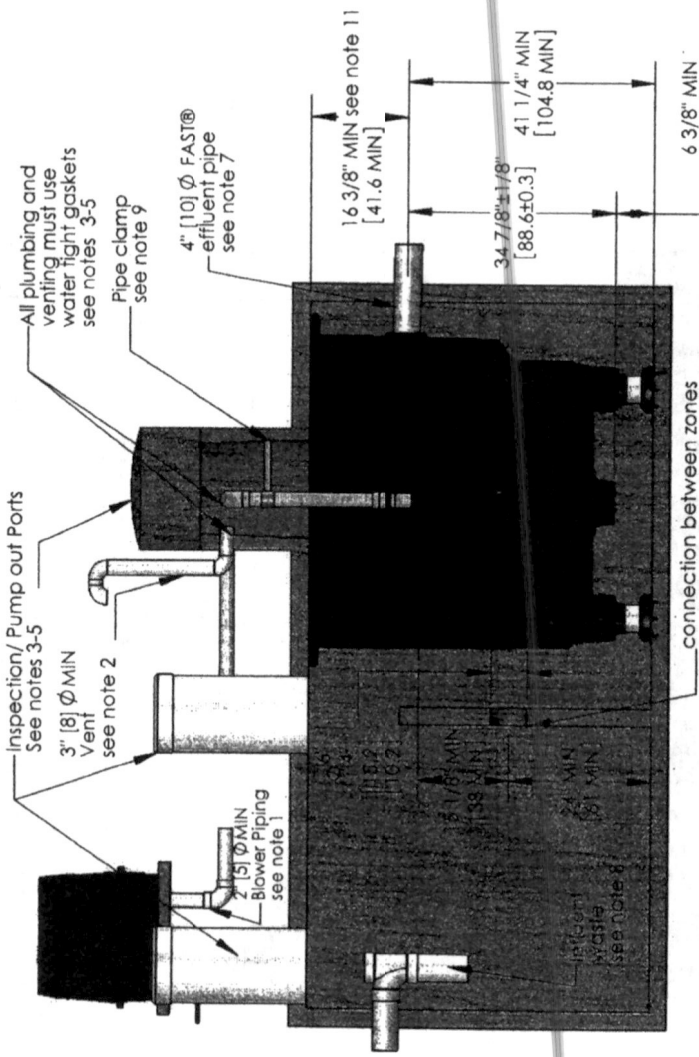
8. The tank(s) shall be designed to prevent air passage between the settling zone/tank and the treatment zone and preventing an air lock. Examples include a baffle wall sealed to the lid or treatment zone inlet line with a pipe cap. Consult factory for guidance.

9. The air supply line into the FAST® unit must be secured to prevent vibration induced damage. The air supply line should be secured with a non-corrosive clamp every 2' min [60 cm]. See alternate air supply option on sheet 4 of 4.

10. Specialized treatment levels may require specific features to be incorporated into the design. Consult factory for guidance.

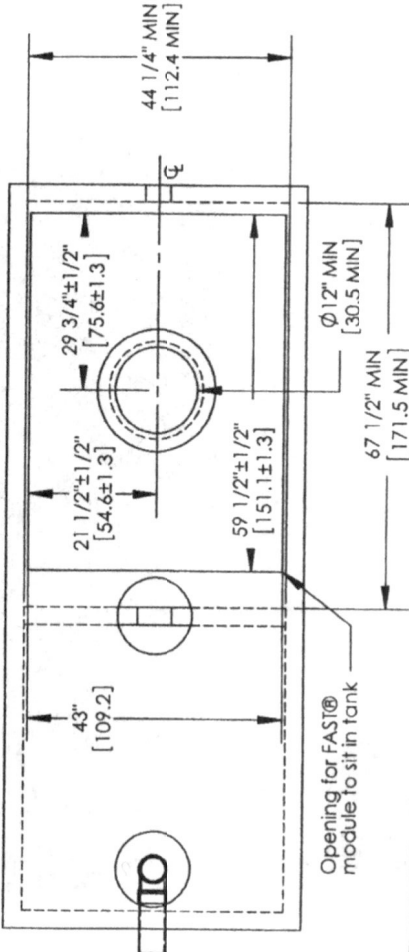
11. Min. height may be reduced, consult factor and reference "Low Profile Module Procedure.pdf"

12. Refer to sheet 4 of 4 for leg extensions requirements.



Settling Zone
 375 Gallon MIN [1700L MIN]

Treatment Zone
 625 Gallon MIN [2400L MIN]



DO NOT SCALE
 UNLESS NOTED
 DIMENSIONS
 ARE IN INCHES
 (CENTIMETERS)
 TOLERANCES
 ± 0.02 IN/IN
 ± 0.05 CM/CM

WEIGHT		SIZE	
NAME	DATE	DRAWING NUMBER	DATE
CIC	12/18/2006	A	



CHECKED, PF. 9/18/2013
 REV. INH-07-D

BIO-MICROBICS © 2013

THE INFORMATION CONTAINED IN THIS DRAWING IS THE SOLE PROPERTY OF BIO-MICROBICS INC. ANY REPRODUCTION IN PART OR AS A WHOLE WITHOUT THE WRITTEN PERMISSION OF BIO-MICROBICS INC. IS PROHIBITED. DESIGN AND INVENTION RIGHTS ARE RESERVED IN THE INTEREST OF TECHNOLOGICAL ADVANCEMENT. ALL PRODUCTS ARE SUBJECT TO DESIGN AND/OR MATERIAL CHANGE WITHOUT NOTICE.

Specifications for MicroFAST 0.75 Wastewater Treatment System

1. GENERAL
The contractor shall furnish and install (1) MicroFAST@0.75 treatment system as manufactured by Bio-Microbics, Inc. The treatment system shall be complete with all needed equipment as shown on the drawings and specified herein.

The principal items of equipment shall include FAST@ system insert, leg extensions, or lid, blower assembly, blower controls and alarms. All other items will be provided by others. The MicroFAST 0.75 unit shall be situated within a 625 Gallon(2400L) minimum compartment as shown on the drawings. Suggested maximum settling zone is (1X) the daily flow. Tank must provide adequate pump out access and conform to local, state, and all other applicable codes. The contractor shall coordinate the proper fabrication of the tank between the tank and FAST system suppliers as well as the installation of the FAST unit, and delivery to the job site.

2. OPERATING CONDITIONS

The MicroFAST 0.75 treatment system shall be capable of treating the wastewater produced by typical family activities (bath, laundry, kitchen, etc.) ranging from (1) one to (11) eleven persons and not to exceed 750 US Gallons per day (2800LPD) provided the waste contains nothing that will interfere with biological treatment. The FAST system is a biological treatment system not meant for non-biodegradable or industrial wastewater.

3. MEDIA

The FAST media shall be manufactured of rigid PVC, polyethylene, or polypropylene and it shall be supported by the polyethylene insert. The media shall be fixed in position and contain no moving or wearing parts and shall not corrode. The media shall be designed and installed to ensure that sloughed solids descend through the media to the bottom of the septic tank.

4. BLOWER

The MicroFAST 0.75 unit shall come equipped with a regenerative type blower, capable of delivering 17-25 CFM [31-46m3/hr]. The blower assembly shall include an inlet filter with metal filter element. The blower shall be mounted outside the tank on a contractor supplied concrete base. Blower piping to the tank shall use non-corrosive material (PVC, Galvanized, or Stainless Steel). Do not run galvanized pipe inside the treatment tank. Refer to Installation Manual for further details.

5. REMOTE MOUNTED BLOWER

The blower must not set in standing water and its elevation must be higher than the normal flood level. A two-piece, rectangular housing shall be provided. The discharge air line from the blower to the MicroFAST System, shall be provided and installed by the contractor.

6. ELECTRICAL

The electrical source should be within 150 feet [45 meters] of the blower, consult local codes for longer wiring distances. All wiring must conform to all applicable codes(IEC, NEC, etc.). Wiring distances must prevent significant voltage loss. Input power on 60-Hz electrical systems 110/220VAC, 1Ø, 3.5/1.7 FLA, on 50 Hz electrical systems 220VAC, 1Ø, 1.9 FLA. Other voltages and phase are also available. Actual power consumption varies with site conditions. All conduit and wiring shall be supplied by contractor.

7. CONTROLS

The control panel provides power to the blower with an alarm system consisting of a visual and audible alarm capable of signaling blower circuit failure and high water conditions. The control panel is equipped with SFR@ (Sequencing Fixed Reactor) timed control feature. A manual silence button is included.

8. INSTALLATION AND OPERATING INSTRUCTIONS

All work must be done in accordance with local codes and regulations. Installation of the FAST 0.75 shall be done in accordance with the written instructions provided by the manufacturer. Manuals shall be furnished, which will include a description of system installation, operation, and maintenance procedures.

9. FLOW AND DOSING

FAST systems have been successfully designed, tested and certified receiving gravity, demand-based influent flow. When influent flow is controlled by pump or other means to help with highly variable flow conditions, then multiple dosing events should be used to maximize performance. The flow rate shall not exceed 5 gpm (19 Lpm) with a maximum hourly flow not to exceed 10% of the design daily flow (75 gph (280 LPH)).

10. WARRANTY

Bio-Microbics, Inc. warrants all new residential FAST@ models (MicroFAST@ 0.50, 0.625, 0.75, 0.90, and 1.5) against defects in materials and workmanship for a period of two years after installation or three years from date of shipment whichever ever occurs first. All other FAST@ system models are warranted for a period of one year after installation or eighteen months from shipment, whichever ever occurs first. All are subject to the following terms and conditions below. During the warranty period, if any part is defective or fails to perform as specified when operating at design conditions, and if the equipment has been installed, operated, and maintained in accordance with the written instructions provided by Bio-Microbics, Inc., Bio-Microbics, Inc. will repair or replace at its discretion such defective parts free of charge. Defective parts must be returned by owner to Bio-Microbics, Inc.'s factory postage paid, if so requested. The cost of labor and all other expenses for replacement of the defective parts and from installation of parts furnished under this warranty and regular maintenance items such as filters or bulbs shall be borne by the owner. This warranty does not cover general system misuse, operator components which have been altered or replaced, wiring or overload, or any components that have been assembled by unauthorized persons, improperly installed or damaged due to altered or improper wiring or overload, or any other factors. This warranty applies only to the assembly as presented and does not include any of the structure wiring, plumbing, drainage, septic tank or disposal system, or any other factors. Bio-Microbics, Inc. reserves the right to revise, change or modify the construction and/or design of the FAST system, or any component part or parts thereof, without incurring any obligation to make such changes or modifications in present equipment. Bio-Microbics, Inc. is not responsible for consequential or incidental damages of any nature resulting from such things as, but not limited to, defect in design, material, or workmanship, or delays in delivery, replacements or repairs.

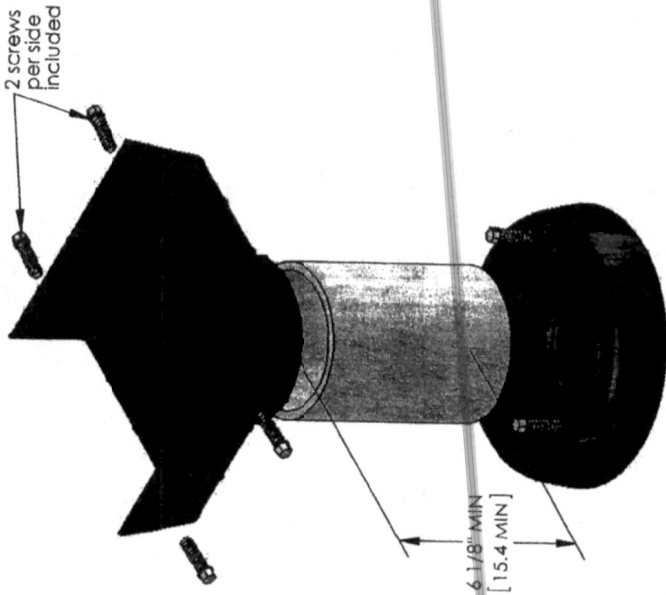
THIS WARRANTY IS IN LIEU OF ALL OTHER WARRANTIES EXPRESS OR IMPLIED. BIO-MICROBICS SPECIFICALLY DISCLAIMS ANY IMPLIED WARRANTY OF MERCHANTABILITY OR FITNESS FOR A PARTICULAR PURPOSE.

NO REPRESENTATIVE OR PERSON IS AUTHORIZED TO GIVE ANY OTHER WARRANTY OR TO ASSUME FOR BIO-MICROBICS, INC., ANY OTHER LIABILITY IN CONNECTION WITH THE SALE OF ITS PRODUCTS. Contact your local distributor for parts and service.

THE INFORMATION CONTAINED IN THIS DRAWING IS THE SOLE PROPERTY OF BIO-MICROBICS, INC. ANY REPRODUCTION IN PART OR AS A WHOLE WITHOUT THE WRITTEN PERMISSION OF BIO-MICROBICS, INC. IS PROHIBITED. DESIGN AND INVENTION RIGHTS ARE RESERVED. IN THE INTEREST OF TECHNOLOGICAL ADVANCEMENT, ALL PRODUCTS ARE SUBJECT TO DESIGN AND/OR MATERIAL CHANGE WITHOUT NOTICE.

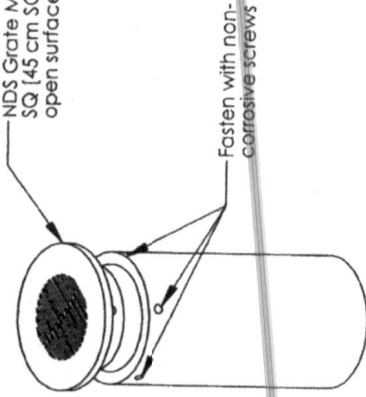
BIO MICROBICS BETTER WATER. BETTER WORLD. MicroFAST 0.75 FAST Unit		DRAWING NUMBER MicroFAST@ 0.75 Specifications	SHEET 3 OF 4
DO NOT SCALE	UNLESS NOTED DIMENSIONS ARE IN INCHES (CENTIMETERS) TOLERANCES ± 0.02 IN/IN (± 0.05 CM/CM)	REVISIONS REVISED 9/18/2013	REV. IN-07-D
WEIGHT	ID	DATE	
NAME	DATE		
DRAWN	DATE		
CHECKED	DATE		

Minimum leg extension assembly
see note 1-4



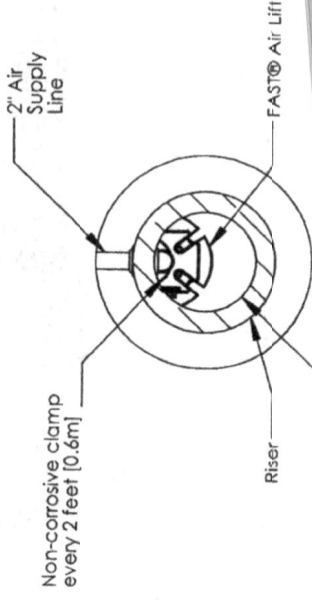
DETAIL
SCALE 1 : 5

FAST® Vent Option

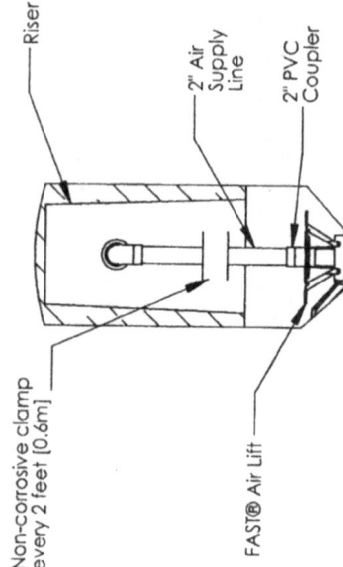


DETAIL
SCALE 1 : 4

Alternate Air Supply
Option



Ø 12" MIN
[30.5 MIN]



- Notes
1. Secure leg extension to the FAST® unit by placing two screws on each side of the leg extension (4 screws per foot are included).
 2. Cut 4' schd. 40 PVC pipe (not included) to obtain the desired height. Minimum pipe length of 6 1/8" [15.56cm] will provide minimum clearance of 6 3/8 inches [16.2 cm]. For heights greater than 18" [45.7cm] use schd. 80 PVC pipe (not included). Consult factory for extending leg beyond 36" [90cm].
 3. Anchor the leg extensions to the tank with non-corrosive hardware (not included) at the provided mounting points.
 4. If less than the specified minimums are considered necessary, consult factory for guidance.
 5. The air supply line into the FAST® unit must be secured to prevent vibration induced damage. The air supply line should be secured with a non-corrosive clamp every 2ft [0.6m] minimum.
 6. Tank, anchors, piping conduit, blower, housing pad and vents are provided by others.

DO NOT SCALE UNLESS NOTED DIMENSIONS ARE IN INCHES [CENTIMETERS] TOLERANCES ± 0.02 IN/IN [± 0.05 CM/CM]	SIZE	DRAWING NUMBER	SHEET 4 OF 4
	A	MicroFAST® 0.75 Details	
WEIGHT	DATE	REVISED	REV.
	NAME	PF	
	CTC	9/18/2013	INL-09-X



MicroFAST 0.75 FAST Unit

THE INFORMATION CONTAINED IN THIS DRAWING IS THE SOLE PROPERTY OF BIO-MICROBICS INC. ANY REPRODUCTION IN PART OR AS A WHOLE WITHOUT THE WRITTEN PERMISSION OF BIO-MICROBICS INC. IS PROHIBITED. DESIGN AND INVENTION RIGHTS ARE RESERVED. IN THE INTEREST OF TECHNOLOGICAL ADVANCEMENT, ALL PRODUCTS ARE SUBJECT TO DESIGN AND/OR MATERIAL CHANGE WITHOUT NOTICE.

BIO-MICROBICS © 2013

Salcor 3G UV Disinfection Unit

NOTE: Not all dimensions to scale

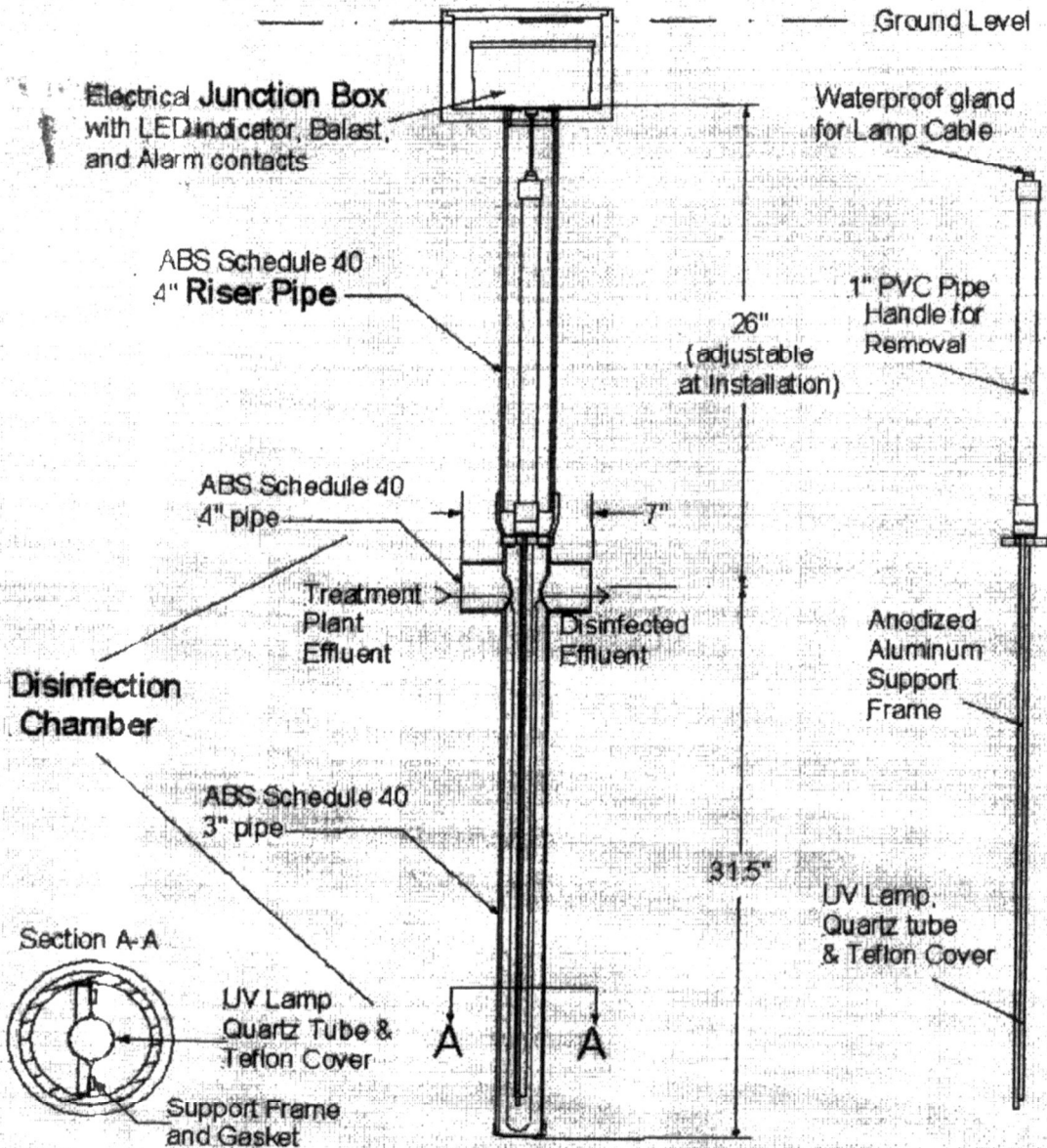


Figure 1

In Ground Installation

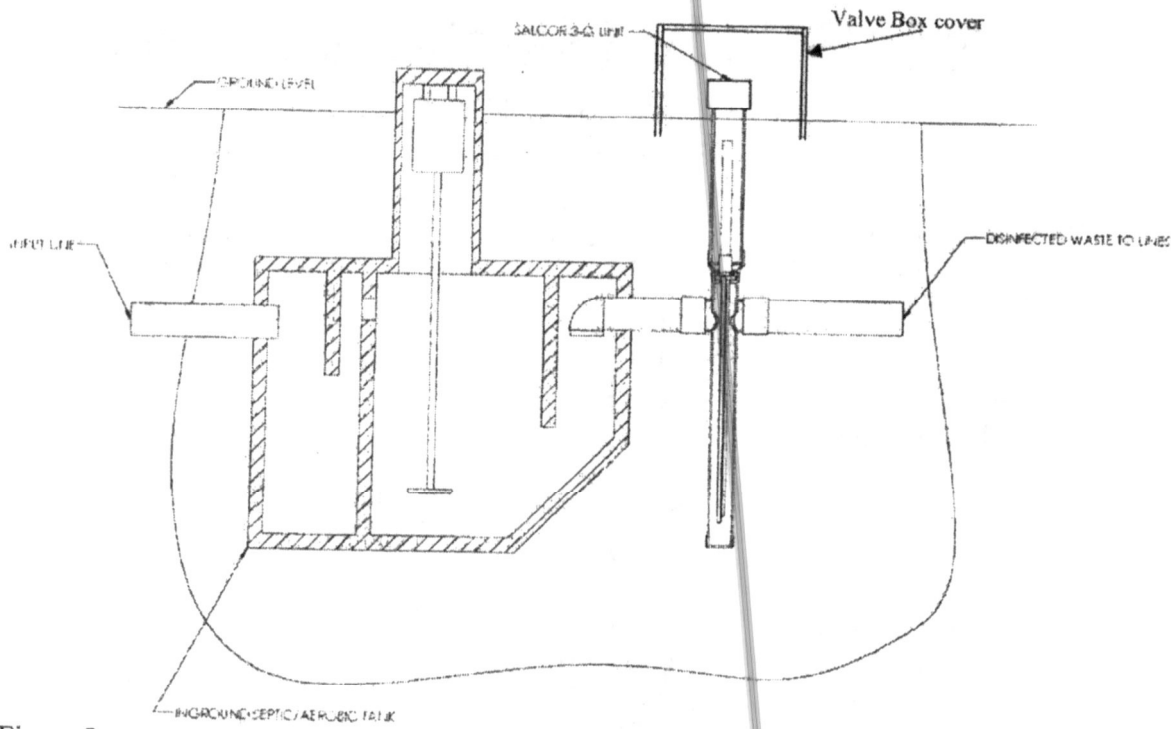


Figure 2

In Tank Installation

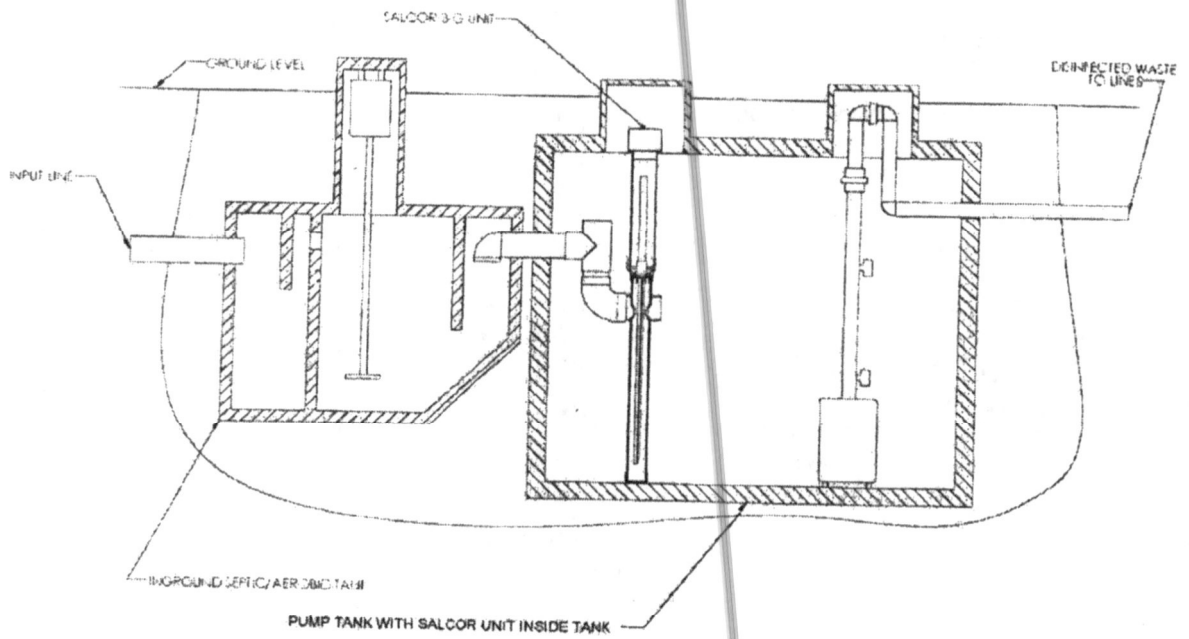


Figure 3

SALCOR INC.

P.O Box 1090
Fallbrook, Ca. 92088
Telephone: 760 731 0745

V. ELECTRICAL JUNCTION BOX LID

The Ballast and terminal strips are now mounted on the Alarm Board, mounted to the Junction Box Lid.

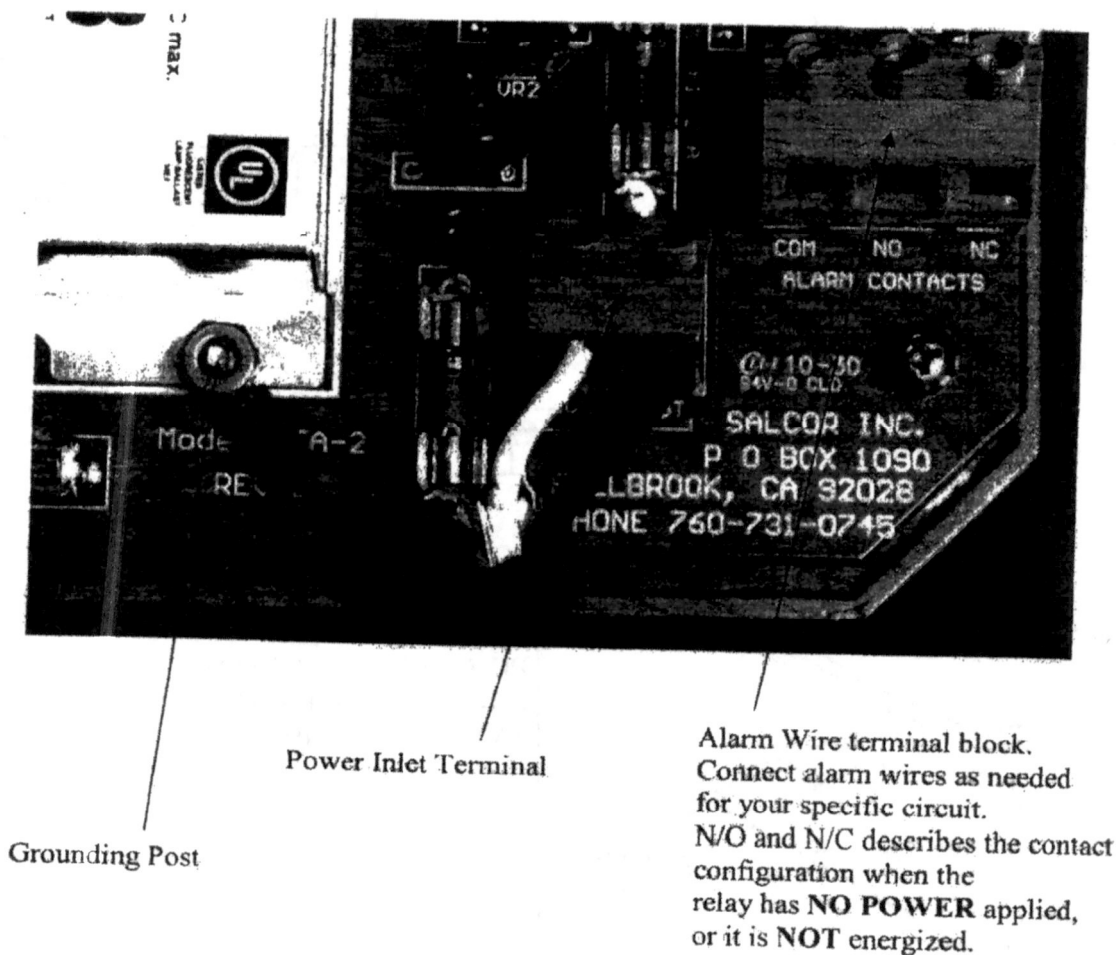


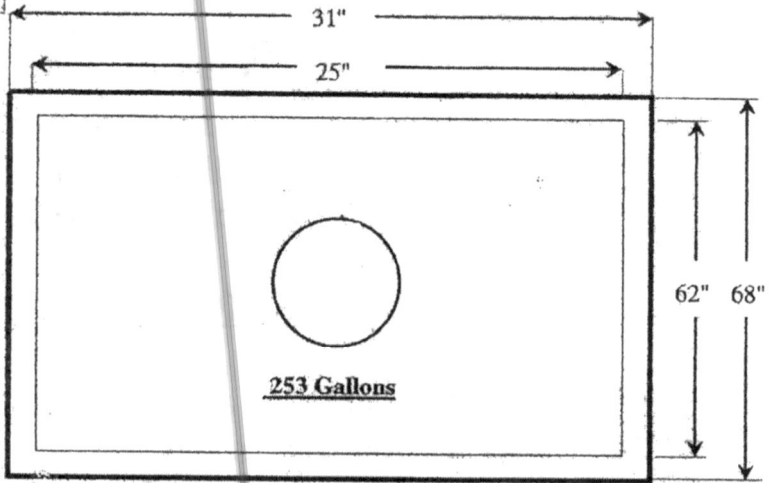
Figure 4

Tank C4

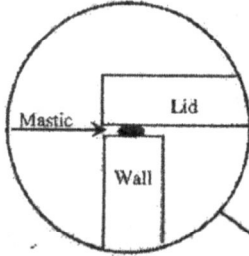
250 - Gallon Pump Tank

TOP VIEW

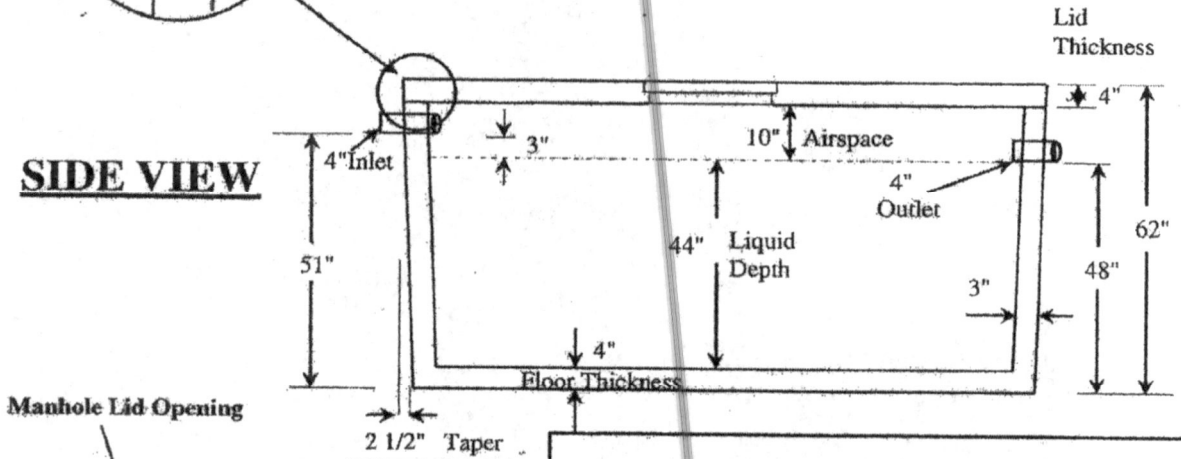
Drawings Not To Scale



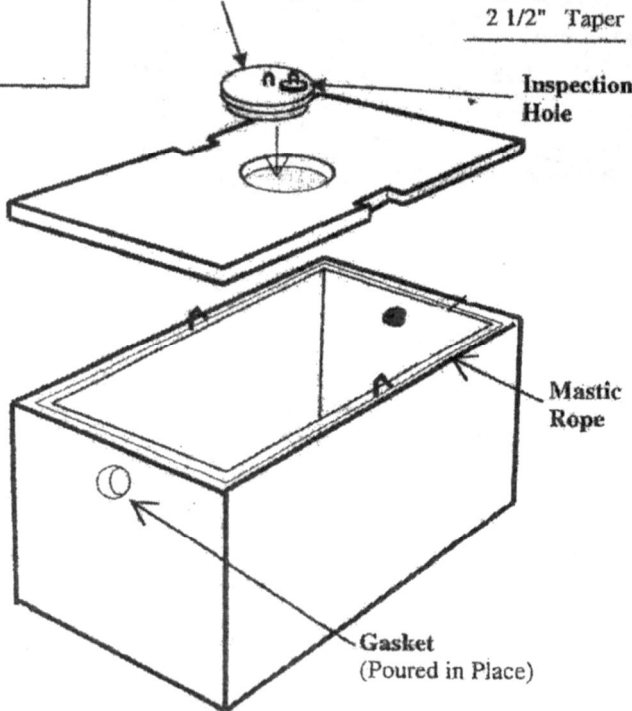
Enlarged Detail



SIDE VIEW



Manhole Lid Opening



WHITTEN CONCRETE CO.
2703 W. 2nd AVE.
PINE BLUFF, AR. 71601
PHONE: 870-534-6901
FAX: 870-534-6902

250 - Gallon Pump Tank

Drawing #: DZ-2

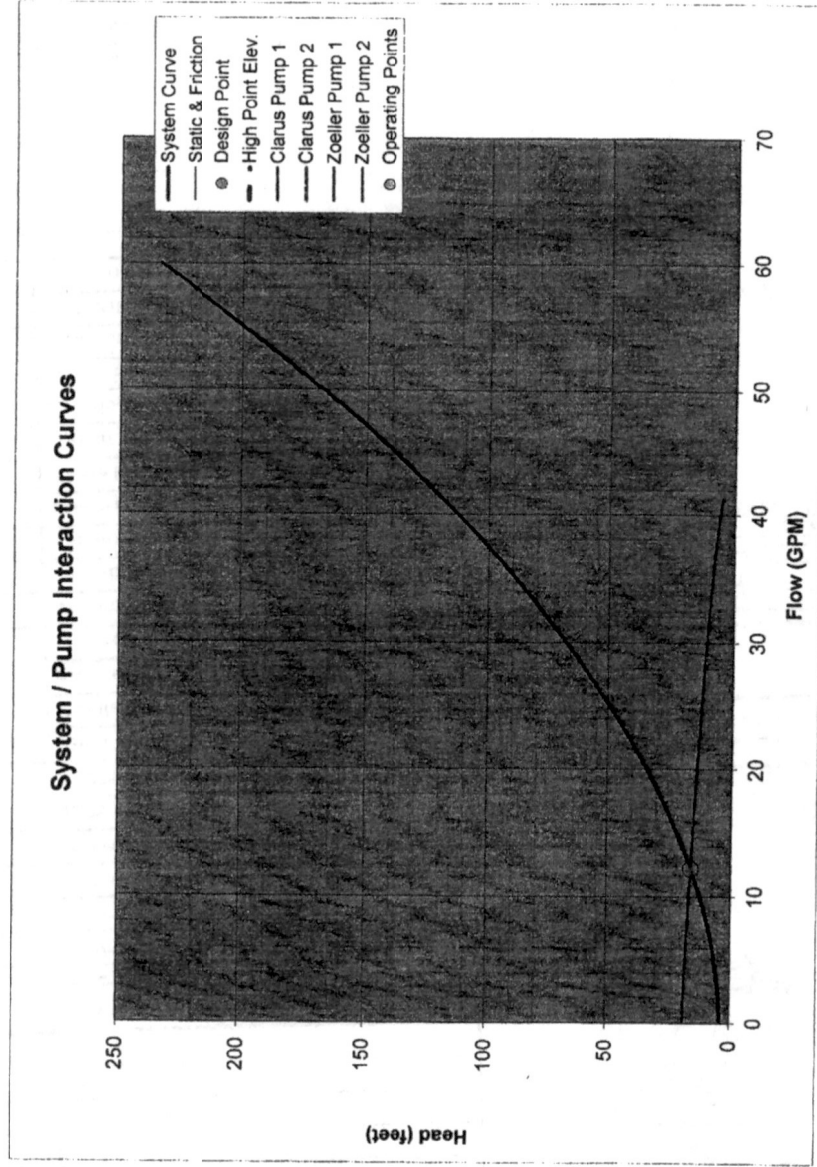
Drawing by: SMR Date: 1/19/2011

Pump C4



System Head Curve and Pump Selection Tool

Static Head Information Static Head - elevation difference from low water to outfall System high point above outfall?		<input type="text" value="410 feet"/> <input type="checkbox"/> No
Friction Head Information Pipe How many different pipes in the system (not counting laterals)?		
Pipe 1 Length	90 feet	
Pipe 1 Size	1 inches	
Pipe 1 Class	SCH 40	
Pressurized Laterals? <input type="checkbox"/> No		
Fittings & Discharge Assemblies		
Type	Size	Quantity
90 Elbow	1 inches	1
Check Valve	1 inches	1
		100 %
		100 %
Special Friction Considerations Weep Hole Add-In Friction Automatic Multizone Valve? Pressure Filter?		
Yes	No	1/4"
Operating Head Information System Type Specify Flow Requirement?		
Non-Pressurized		No
Factors and Coefficients Hazen-Williams C Factor Discharge Coefficient (Cd) Lateral Design Mode		
150	0.61	Off



NOTE: THE DISPLAYED PUMP CURVES HAVE BEEN ADJUSTED TO ACCOUNT FOR THE EFFECT OF THE WEEP HOLE

Pump Selection	60 Hz	Frequency
Clarus Environmental Pumps		
Clarus Pump 1		
Clarus Pump 2		
Zoeller Pump Company Pumps		
Zoeller Pump 1	53.55/57.59	0.31/0.60 Hz
Zoeller Pump 2		122 GPM @ 7 ft

Curve Zoom Range: 80 GPM

Project Data		Notes
Project Name:		
Project Address:		
Contact Info:		

Your Peace of Mind is Our Top Priority®

Pump C4



PUMP COMPANY

Zoeller Family of Water Solutions™

SECTION: 2.15.020

FM2778

0515

Supersedes

0315

Product information presented here reflects conditions at time of publication. Consult factory regarding discrepancies or inconsistencies.

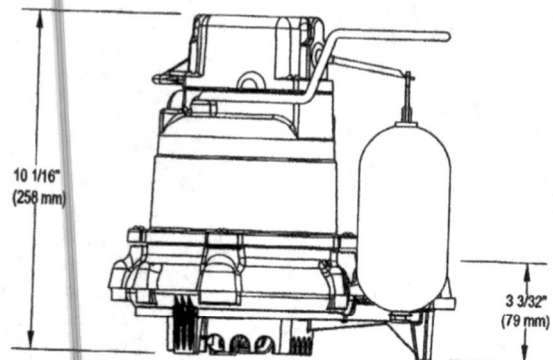
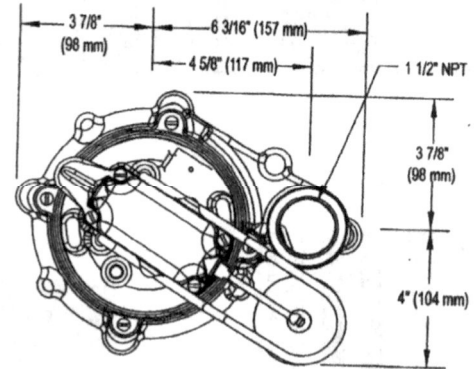
TECHNICAL DATA SHEET

MIGHTY-MATE SERIES

Cast Iron Models 53, 57 and Bronze Models 55, 59 Submersible Effluent / Dewatering Pumps

PRODUCT SPECIFICATIONS

MOTOR	Horse Power	3/10
	Voltage	115 or 230
	Phase	1 Ph
	Hertz	60 Hz
	RPM	1550
	Type	Shaded pole
	Insulation	Class B
	Amps	4.8 - 9.7
	Operation	Automatic or nonautomatic
	Auto On/Off Points	7-1/4" (18.4 cm) / 3" (7.6 cm)
PUMP	Discharge Size	1-1/2" NPT
	Solids Handling	1/2" (12 mm) spherical solids
	Cord Length	9' (3 m) automatic, 15' (5 m) nonautomatic
	Cord Type	UL listed, 3-wire, grounded plug
	Max. Head	19.25' (5.9 m)
	Max. Flow Rate	43 GPM (163 LPM)
	Max. Operating Temp.	130° F (54° C)
	Cooling	Oil filled
	Motor Protection	Auto reset thermal overload
	Cap	Cast iron or bronze
MATERIALS	Motor Housing	Cast iron or bronze
	Pump Housing	Cast iron or bronze
	Base	Cast iron, bronze or engineered thermoplastic
	Upper Bearing	Sleeve bearing
	Lower Bearing	Sleeve bearing
	Mechanical Seals	Carbon and ceramic
	Impeller Type	Non-clogging vortex
	Impeller	Plastic, cast iron or bronze
	Hardware	Stainless steel
	Motor Shaft	AISI 1215 cold rolled steel
Gasket	Neoprene	



SK858

NOTE: See model comparison chart for specific details.





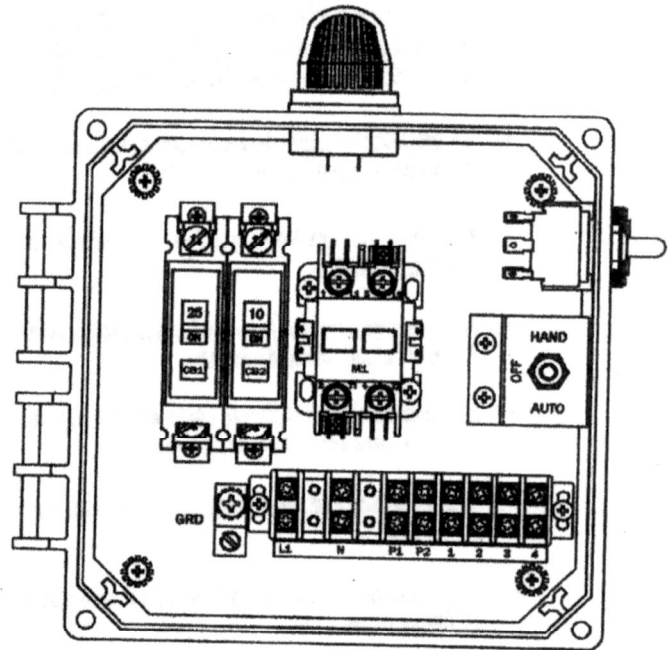
Panel C4

CONTROL PANEL

"50A001-B" Basic Model Simplex 115V 1 Phase Control Panel

Features & Benefits

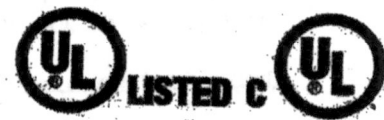
- Circuit Breaker for Pump Circuit
- Definite Purpose Contactor
- Easy to Access Terminal Block
- Usable with 115 VAC
- Alarm Run-Mute-Test Switch
- Externally Mounted Audible Alarm
- Pump Hand-Off-Auto Switch
- External Alarm Light
- Control Circuit Breaker
- Ground Lug
- Color Coded Internal Wiring
- Rugged Weather Resistant Hinged Poly Enclosure
- Built and Labeled to UL 508A Standard w/Nema 4x Rating
- Provided with Wiring Schematic and Detailed Connection Diagram for Installer
- Mounting Feet for Enclosure



(Standard 50A001-B Shown)

Available Options(*)

- Customer Specific Float Configuration
- IEC Motor Contactor
- Flasher
- 7 Conductor Cable Terminal Block Configuration
- Auxiliary Alarm Contacts
- Elapsed Time Meter
- Event or Cycle Counter
- Mercury or Mechanical Float Switches for the Pump and High Water Alarm Circuits



*Note: Consult the factory for other available options. Also some options may require an increase in the enclosure size.



ARKANSAS DEPARTMENT OF

Health

Keeping Your Hometown Healthy

Basic Electrical Information for Septic Systems Using Pumps, Floats, and Warning Alarms or Control Panels

- All Aspects of the wiring and electrical system must meet the current National Electrical Code.
- All components of a pumped septic system including pump vaults, pump chambers, tank draw-downs, pumps, floats and alarms, controls, wires, conduit, all electrical connections and breakers must be specified with examples included in the design by Designated Representative.
- All septic system electrical work must be performed by an Arkansas licensed Septic System Installer, or an Arkansas licensed Master Electrician.
- Any electrical work inside a building must be performed by the property owner, or an Arkansas licensed Master Electrician.
- All enclosures, panels, breaker boxes or other housings must be NEMA-4X rated with gas-proof and waterproof gaskets and seal offs.
- No exposed plug-in electrical cords are allowed, they must be entirely sealed in a NEMA-4X enclosure to be both gas resistant and water resistant.
- All wire splices and connections must be made with heat shrink butt connectors, or silicone encapsulated wire nuts.
- All conduit openings into control boxes, splice boxes, or alarm and breaker boxes must have gel-filled seal off kits or sleeves.
- All power cable or wire must be UF (underground rated) and of correct gauge for the total amperage and total length of run.
- Any power cable or wire buried 12-inches or less deep must be entirely inside UF (underground rated) conduit of correct size to allow for heat dispersal of the wire.
- The pump must have an individual breaker of correct amperage in line of site to its location.
- The float/alarm set up must have an individual breaker of correct amperage in line of site to its location.
- The main breaker for the entire septic system set up must have amperage at least equal to pump, alarm, or control breaker coming to the main breaker. This main breaker must be labeled and its location noted on the septic system permit/design.
- No deviations from the approved design may be made without prior approval of Designated Representative and Environmental Health Specialist.



Arkansas Department of Health
 4815 West Markham, Slot 46
 Little Rock, Arkansas 72205-3867

MEMORANDUM OF AGREEMENT

SUBJECT: ONSITE WASTEWATER SYSTEM APPLICATION

This is an agreement that the onsite wastewater system installed on this property has been permitted under authority of Act 402 of 1977 and by the Arkansas Department of Health with the understanding that the following provisions are met:

1. Onsite Wastewater Systems requiring a Monitoring Contract with a Certified Monitoring Personnel are Holding Tanks, Experimental Systems (i.e. Reduced Absorption Areas, *ABGs), and Drip Dispersal Systems. *Aerobic Biological Generators – Commercial applications only, residential applications must follow manufacturers' service contract requirements.
2. The property owner assumes all responsibility for the proper operation of the onsite wastewater system.
3. The property owner must maintain a monitoring contract with a licensed Certified Monitoring Personnel for the life of the system and retain Onsite Wastewater System Assessments (EHP-71), on file, for at least five (5) years.
4. The Arkansas Department of Health has no responsibility in the operation and maintenance of such systems.
5. That the Arkansas Department of Health may monitor the system as to its operation capabilities.
6. That the Arkansas Department of Health is granted permission to make such inspections as deemed necessary.
7. Subsurface systems with flows ≥ 3000 gpd and all surface discharging systems require the owner to file an additional permit application with the Arkansas Department of Environmental Quality (ADEQ).
8. That, on the sale of the property, the owner of the property must disclose to the perspective buyer notice of this agreement and any permit requirements. The buyer is to sign memoranda, contracts or permit name change forms and submit these documents to the appropriate regulatory agency.

X **SIGNED** *[Signature]* **SIGNED:** _____
 (Property Owner) (Health Department)
DATE 7/16/21 **DATE:** _____

SERVICE AND MAINTENANCE CONTRACT

1. **Parties.** This contract ("Agreement" or "Contract") is between Meinco Septic Systems, Inc., ("Meinco") and Scott Galloway, ("Client"), referred to individually as a "Party" and collectively as the "Parties."
2. **Service Location.** This is a Contract for septic system service and maintenance services provided by Meinco for Client located at 528 Beck Hill, Stuttgart, 72160, hereinafter referred to as the "Service Site."
3. **Service Fees.** Client agrees to pay Meinco one-hundred fifty (\$ 150) for septic system service and maintenance specifically work performed every 3 months and described more specifically below (hereinafter referred to as "Service Work"). Meinco and Client agree that the invoiced amount is good consideration for this Contract and the services set forth below and reflects the bargained for terms of this agreement.
4. **Materials Charges.** During regular maintenance Meinco will replace materials necessary to keep the septic system operating efficiently (chlorine tablets, UV light bulbs, floats, filters, etc.). Meinco and Client agree that Meinco shall submit to client the costs of maintenance parts and materials and Client will promptly pay the same.
5. **Laboratory Fees.**
 - A) This paragraph is inapplicable.
 - B) Client agrees that Meinco will use a third party laboratory, Environmental Services Inc, for any sampling that is required under this Contract. In such event, Meinco shall submit to Client a laboratory fee of \$ 125 and Client will promptly pay the same.
6. **Services Provided.** Meinco agrees to provide the following Service Work to the Client and the Service Site:
 - A) Maintenance requirements, including review of system components and their working condition, monitoring of solid levels to determine system efficiency, and periodic cleaning of system filters or media.
 - B) I. This paragraph is inapplicable.
II. Necessary sampling and submission of paperwork every month(s) or as required to comply with the Arkansas Department of Health Onsite Maintenance Program.
 - C) Necessary paperwork every 6 month(s) as required to comply with the Arkansas Department of Health and/or the Arkansas Department of Environmental Quality.
 - D) I. This paragraph is inapplicable.
II. Sampling of discharge every 6 month(s) in coordination with a 3rd party laboratory for required laboratory tests.
7. **Contract Duration.** This contract shall be for a period of 24 month(s) from the date this Contract is executed by the parties on page 2
8. **Flow Requirements.** This contract shall be null and void if septic system flow exceeds 750 gallons per day.
9. **Modification to System.** If the septic system is modified, abused, mis-used, or altered, then Meinco's responsibility to service or maintain the septic system is terminated. Meinco may remedy such conditions by replacing parts or correcting defects. If Meinco makes such changes to the septic system, then it may charge to client the costs of repairs, modifications, parts, and labor. Meinco may, at its discretion, seek payment in advance of making any repairs or modifications to the septic system. In such event, Meinco shall not be responsible for any damage or adverse effects for its delay in making repairs or modifications to the septic system.
10. **Access to System.** Client agrees to provide Meinco access to the septic system as well as its parts and components.
11. **Termination by Client.** Client may terminate this contract by providing thirty (30) days written notice to Meinco.
12. **Termination by Meinco.** Notwithstanding, and in addition to, any other provision or term in this Contract, **MEINCO MAY TERMINATE THIS CONTRACT AT ANY TIME AND WITHOUT PREVIOUS NOTICE TO CLIENT.**
13. **Solid Removal.** Solid removal is not a covered service and shall incur an additional fee. If Meinco removes solids from the septic system, then it may charge to client the costs of solid removal. In any event, Meinco shall not be responsible for any damage or adverse effects for any delay in removing solids.
14. **Indemnity.** To the fullest extent permitted by law, Client shall indemnify, hold harmless, and defend Meinco and any agent or employees of Meinco from and against all injuries, claims, damages, losses, and expenses, including, but not limited to, attorneys' fees, arising directly or indirectly out of the obligations herein undertaken or resulting out of operations related to the Service Work or Service Site conducted by Meinco, Meinco's agents, anyone directly or indirectly employed by them or anyone for whose acts they may be liable, regardless of whether or not such injury, claim damage, losses, or expenses is caused in part by a party indemnified. Such obligation shall not negate, abridge, or otherwise reduce the rights or obligations of indemnity which would otherwise exist to a party or person described in this paragraph.

- 15. **Assignment.** Client agrees that even though this is a contract for services, Meinco may assign this Contract to any third party without written notice to Client.
- 16. **Bilateral Contract.** Meinco and client specifically agree that Client is seeking Meinco's promise to perform and not its performance.
- 17. **Claims Against Meinco.** Client shall give Meinco written notice of all claims within five (5) days of Client's knowledge of facts giving rise to the event for which claim is made. Otherwise, such claims shall be deemed waived by Client. All unresolved claims, disputes, and other matters in question between Meinco and Client shall be resolved in the manner provided for in this Agreement.
- 18. **Rights Upon Breach.** If Client breaches this Agreement with Meinco, Meinco may stop all work, including all Service Work. Additionally, Client will be liable to Meinco for consequential, incidental, and reliance damages as well as attorneys' fees and court costs. Such liability upon Client shall extend to petitions for and orders of contempt as well as any attempts by Meinco to collect upon any debt or damages owed to it by Client, including those entered by court of law or other dispute resolution proceeding.
- 19. **Direct Discussion.** If a dispute arises out of or relates to this Agreement, the Parties shall endeavor to settle the dispute through direct discussion before advancing to any dispute resolution proceeding.
- 20. **Joint Drafting.** The Parties expressly agree that this Agreement was jointly drafted and that this Agreement shall be construed neither against nor in favor of either Party. Instead, this Agreement shall be construed in a neutral manner.
- 21. **Choice of Law.** The Parties expressly agree that any dispute or claim filed or heard in any jurisdiction concerning or relating to this Agreement or work performed as a result of this Agreement shall be governed by the laws of the State of Arkansas.
- 22. **Forum Selection and Choice of Venue.** The Parties expressly agree that any dispute or claim arising from, filed, or heard concerning or relating to this Agreement or work performed as a result of this Agreement shall be heard in Saline County, Arkansas, and no other forum. If this clause is penetrated and the hearing


concerning the dispute removed to the United States federal court system, then the Parties expressly agree that the dispute shall be heard in the United States District Court for the Eastern District of Arkansas, Western Division, at the Richard Shppard Arnold United States Courthouse in Little Rock, Arkansas.

- 23. **Waiver of Agreement Terms.** Meinco, at its sole discretion and leisure, may waive any term in this Agreement. Such waiver shall not, under any conditions or circumstances, constitute a modification of this Agreement. Additionally, such waiver shall not, under any conditions or circumstances, constitute a course of performance, course of dealings, or trade usage between Meinco and Client. Any waiver by Meinco shall be limited to a single incident or event. No waiver of any term of this Agreement is valid unless it is in writing, signed by Meinco, and attached to this Agreement as an addendum. It is the responsibility and duty of Client to draft any written waiver and to present it to Meinco for Meinco's approval and signature.
- 24. **Force Majeure.** Neither Party shall be in breach of its obligations under this Agreement (other than payment obligations) or incur any liability to the other Party for any losses or damages of any nature whatsoever incurred or suffered if and to the extent that the other party is prevented from carrying out its obligations by, or such losses or damages are caused by, a force majeure event. For purposes of this paragraph, the failure of the state of Arkansas or the United States of America to act according to current practices, procedure, or law at the time of the making of this Contract shall be considered a force majeure event. Such event by the government shall be in addition to any current or commonly accepted definition of force majeure event.
- 25. **Merger and Integration.** Meinco and Client agree that this Agreement represents a full, final, and complete memorial of their Agreement for the Service Work and that this Agreement does not rely upon any term or promise not otherwise specified within the four corners of this Agreement.
- 26. **No Oral Modification.** Meinco and Client agree that this Agreement shall not be subject to oral modification. The Parties agree that any modification made or agreed to by the Parties shall be in writing, signed by both Parties, and attached to this Agreement as an Addendum.

By signing this Agreement below, I indicate that I have read this Agreement and its terms, consisting of two (2) pages, excluding any Addendum or Addenda, and that these express terms are both acceptable and agreeable to me. I further declare that these terms do not represent an undue hardship, are not illusory, and are not unconscionable as I have expressly bargained for these terms in consideration of entering into this Contract for the value specified in paragraph three (3).


 Meinco Septic Systems, Inc.

7/16/2021
 Date

x 
 Client

7/16/21
 Date

**ARKANSAS DEPARTMENT OF HEALTH
PROJECT COST ESTIMATE WORKSHEET**

As required by A.C.A. § 20-7-123, this worksheet must be completed and submitted with appropriate fee(s)

PROJECT NAME Galloway Farm House

PROJECT ID# (ADH Use Only)

COUNTY Prarie

PROJECT LOCATION (911 if available) 528 Beck Bull

CITY, STATE, ZIP Stuttgart, AR 72160

OWNER/SUBMITTER NAME Scott Galloway TELEPHONE 713-851-9697

MAILING ADDRESS 618 Hunters Grove

CITY, STATE, ZIP CODE Houston, TX 77024

EMAIL scott-galloway@comcast.net

COST ESTIMATE: ESTIMATED COST SHALL BE BASED ONLY ON THOSE IMPROVEMENTS THAT REQUIRE A DEPARTMENT OF HEALTH REVIEW.

1. WATER SYSTEM IMPROVEMENTS.....	\$	<u>—</u>
<i>For questions regarding water system improvements ENG (501) 661-2623</i>		
2. SEWER SYSTEM IMPROVEMENTS.....	\$	<u>—</u>
<i>For questions regarding sewer system improvements ENG (501) 661-2623</i>		
3. PLUMBING.....	\$	<u>—</u>
<i>For questions regarding plumbing plans (501) 661-2650</i>		
4. SWIMMING POOL.....	\$	<u>—</u>
<i>For questions regarding swimming pool plans (501) 661-2171</i>		
5. FOOD ESTABLISHMENT IMPROVEMENTS.....	\$	<u>—</u>
<i>For questions regarding food establishment plans (501) 661-2163</i>		
6. HEALTH CARE FACILITY IMPROVEMENTS.....	\$	<u>—</u>
<i>For questions regarding health care facility improvements (501) 661-2201</i>		
7. OTHER.....	\$	<u>—</u>
TOTAL ESTIMATED COST.....	\$	<u>—</u>

A. PLAN REVIEW FEE.....	\$	<u>200.00</u>
<i>1% of total est. cost, not less than \$50.00 and not to exceed \$500.00. (see #1 on page 2)</i>		
B. PLAN REVIEW FEE.....	\$	<u>—</u>
<i>For plans utilizing onsite wastewater systems including subdivisions containing lots < 3 acres, mobile home and RV parks. (see #2 on page 2)</i>		
TOTAL FEES SUBMITTED.....	\$	<u>200.00</u>
<i>(Add A & B) Recommend (A) & (B) be separate checks made payable to ADH.</i>		

PREPARED BY: Scott Krupicki DATE 7-16-2021
 PRINT NAME: Scott Krupicki

