

DESIGN COMPANY INCORPORATED

4308 N. Classen Blvd.
Oklahoma City, OK 73118

Phone: 405-996-5300
Fax: 405-488-0029
www.sedcousa.net

January 14, 2008

By Electronic Mail and Regular Mail

Arkansas Department of Environmental Quality
Solid Waste Management Division
PO Box 8913
Little Rock AR 72219-8913

72-00144
0023-STSW-MC
Rec'd 1/30/08
ID 51442
SM> file

Attn: Mr. Steve Martin
Chief – Solid Waste Management Division

**Re: Waste Management of Arkansas Tontitown Transfer Station,
Tontitown, Arkansas
Minor Permit Application
Permit No.: 0023-STSW-MC AFIN 72-00144**

Dear Mr. Martin:

Enclosed is a Solid Waste Minor Permit Modification Application for the existing Tontitown Transfer Station (TTS) located in Tontitown, Arkansas. This application is submitted on behalf of Waste Management of Arkansas, Inc. (WMAR) and is in response to the existing solid waste transfer station general permit dated March 15, 2007. Shepherd Engineering Design Co., Inc. (SEDCo) is submitting an application for a minor permit modification to move the transfer station to a new location as shown in the attached permit drawings. The transfer station was removed from it's current location during construction of the minor permit modification area. It will be constructed in it's new location as per the attached permit drawings.

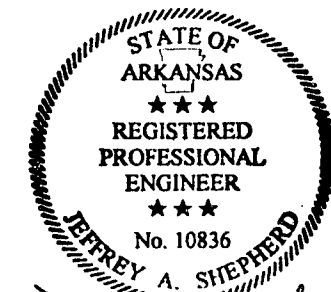
- **§22.903(b)(1)**
A complete and signed ADEQ Solid Waste Processing Facility Application Form (Attachment A)
- **§22.903(b)(4)**
The permit drawings are included in Attachment B.
- **§22.903(b)(5-7)**
Attachment C includes a new Operations Plan as required by §22.903(b)(7).

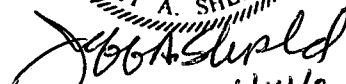
Waste Management of Arkansas
Tontitown Transfer Station
Minor Permit Application
Permit No.: 0023-STSW-MC
AFIN 72-00144

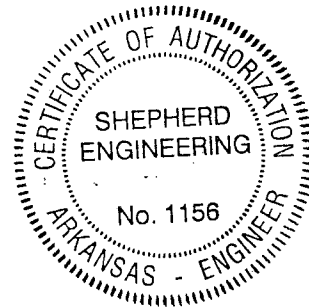
We appreciate your review and consideration. If you have any questions or if you need additional information, please do not hesitate to give me a call.

Sincerely,
Shepherd Engineering Design Co., Inc.


Jeff A. Shepherd, P.E.
Senior Engineer




1/14/8



ATTACHMENT A
SOLID WASTE PERMIT APPLICATION FORM



ARKANSAS DEPARTMENT OF ENVIRONMENTAL QUALITY
8017 I-30, P.O. BOX 8913 LITTLE ROCK, AR 72219-8913



SOLID WASTE PROCESSING FACILITY APPLICATION FORM

Act 237 of the 1971 Arkansas General Assembly, as amended, makes it unlawful to construct, install, alter, modify, use or operate any solid waste processing facility without a permit. Section 22.303 of Regulation 22, Solid Waste Management, requires that applicants for new solid waste processing facilities prepare and submit an application on forms prepared by the Department and the form is to include certain information.

I. FACILITY TYPE

(Check the one that applies)

- Yard Waste Composting Facility (Class Y)
- Organic Waste Composting Facility (Class O)
- Mixed Solid Waste Composting Facility (Class S)
- Solid Waste Transfer Station
- Solid Waste Material Recovery Facility

Date of the pre-application : _____

II. FACILITY IDENTIFICATION

Facility Name: Tontitown Transfer Station

Facility Location: 4 miles South of Highway 412 Site Manager: Kirby Thompson

Site Street Address: 2210 Waste Management Drive

City: Springdale State: AR Zip: 72762

County: Washington Telephone: (479)361-2069 Fax: (479) 361-5934

Longitude: 36° 08' 23.97364" Latitude: 94° 15' 23.68158"

Section/Township/Range Section 17, Township 23, Range 31 West

III. APPLICANT IDENTIFICATION

(Must be the facility Owner or Operator)

Name of the Facility Owner: Waste Management of Arkansas

Address of Facility Owner: 2210 Waste management Drive

City: Springdale State: Arkansas Zip: 72762

Property Owner Telephone Number (479) 361-2069 Fax: (479) 361-5934

IV. OWNER IDENTIFICATION

(If different from applicant)

Name of the Property Owner: Waste Management of Arkansas

Address of Property Owner: 2210 Waste management Drive

City: Springdale State: Arkansas Zip: 72762

Property Owner Telephone Number (479) 361-2069 Fax: (479) 361-5934

V. SITE INFORMATION

Legal description _____

(Continue on additional sheets if required)

Directions to the site From Highway 412 take Klenc Road south to site

VI. FACILITY INFORMATION

Describe facility service area Washington, Benton, Madison, Carroll and Crawford Counties in Arkansas; Delaware County in Oklahoma; McDonald County in Missouri

Identify the average weight and volume of the material that this facility will receive or process:

_____ Cubic yards or Tons received per day
16,500 tons Cubic yards or tons received annually
_____ Cubic yards or tons per day residual (if applicable)

Provide a brief description of the disposition of transferred / processed material, and, if applicable, how any residual material will be disposed:

The Tontitown Solid Waste Transfer Station processes Residential, Commercial and Industrial Class 1 and Class 4 Waste.

Identify the average and maximum time that waste is anticipated to be stored on site:

Class 1 and Class 4 = avg. 1 day, max 3 days
Metal and White goods = avg. 7 days, max 7 days

VII. APPLICATION CONTENTS

Permit Drawings (Identify below each design drawing or document included with this application)

Drawing Number	Title	Date	Revision No.
1	Transfer Station Layout Plan	11/07	-----
2	Details I	11/07	-----
3	Details II	11/07	-----

VIII. REQUIRED ATTACHMENTS

COMPOSTING FACILITIES:

- Application fee as required by Regulation 9 of the Department;
- A map or aerial photograph indicating land use and zoning within ½ mile of the facility and showing all residences, structures, surface waters, public and private water supply sources, access roads, airports, and other existing and proposed man-made features relating to the project;
- Maps indicating the existence of any regulated wetlands or floodplains on or adjacent to the site;
- A site plan prepared by a registered professional engineer showing proposed composting areas, location of existing and proposed access roads, site topography, existing and proposed drainage characteristics including any run-on and run-off control systems;
- A design narrative and calculations prepared by a registered professional engineer;
- Operating Plan or Narrative that addresses the criteria in Section 22.804 of Regulation 22;
- A geotechnical report describing site conditions to a depth of 10 feet;
- Closure plan for type O and S composting facilities;
- Any other information requested by the Department.

TRANSFERSTATIONS & MATERIAL RECOVERY FACILITIES:

- Application fee as required by Regulation 9 of the Department;
- A map or aerial photograph indicating land use and zoning within 1/4 mile of the facility and showing all residences, structures, surface waters, public and private water supply sources, access roads, airports, and other existing and proposed man-made features relating to the project;
- Maps indicating the existence of any regulated wetlands or floodplains on or adjacent to the site;
- A site plan showing storage areas for incoming solid waste, location of existing and proposed access roads, site topography, existing and proposed drainage characteristics including any run-on and run-off control systems;
- A design narrative or specifications describing the facility design;
- Operating Plan or Narrative that addresses the criteria in Section 22.904 or 22.1004 as applicable of Regulation 22;
- Any other information requested by the Department.

IX. CERTIFICATION

To the best of my knowledge and belief, I certify the information provided in this application is true and accurate:

APPLICANT


Signature

Kevin Gardner
General Manager
Name & Title

1-8-08
Date

ENGINEER/CONSULTANT


Signature

Jeff A. Shepherd
Senior Engineer
Name & Title

1/14/08
Date

CONFIDENTIALITY: This application shall be available for public inspection, provided, however, that the Department shall not disclose, except to authorized persons, any information which the Director determines is entitled by law to protection as trade secrets without the consent of the applicant. Trade secrets shall not include the name and address of the applicant, nor any information necessary, as determined by the Director, for the public to evaluate the hazards associated with the proposed operation, nor any other information required by law to be available to the public.

**ATTACHMENT B
PERMIT DRAWINGS**

TONTITOWN LANDFILL **WASHINGTON COUNTY, ARKANSAS**



WASTE MANAGEMENT OF ARKANSAS, INC
2210 WASTE MANAGEMENT DRIVE
SPRINGDALE, ARKANSAS 72762

TRANSFER STATION PLAN **MINOR PERMIT MODIFICATION**

OCTOBER 2007

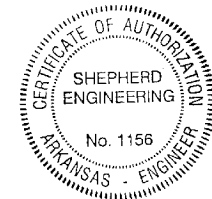
PERMITTING PURPOSES ONLY

PREPARED BY:



4308 NORTH CLASSEN BLVD.
OKLAHOMA CITY, OK 73118
PHONE: (405) 996-5301
FAX: (405) 488-0029

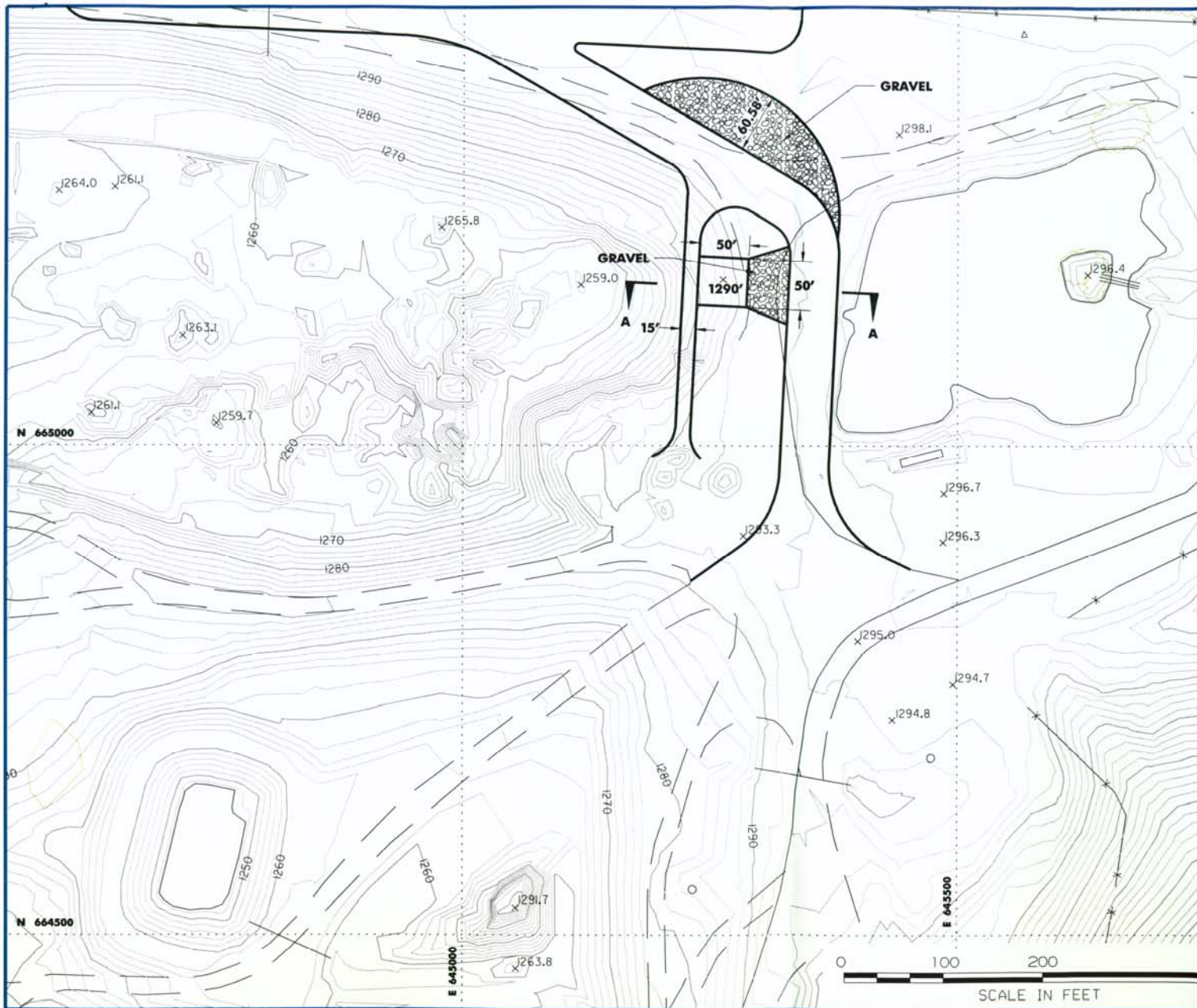
SEDCo Project No: 07010043



Jeffrey A. Shepherd
11/14/07

DRAWING INDEX

DRAWING NUMBER	DESCRIPTION
	COVER
1	TRANSFER LAYOUT PLAN
2	DETAILS I
3	DETAILS II



N

LEGEND:

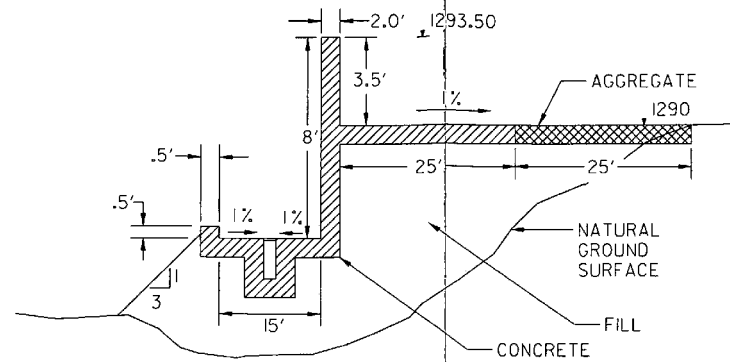
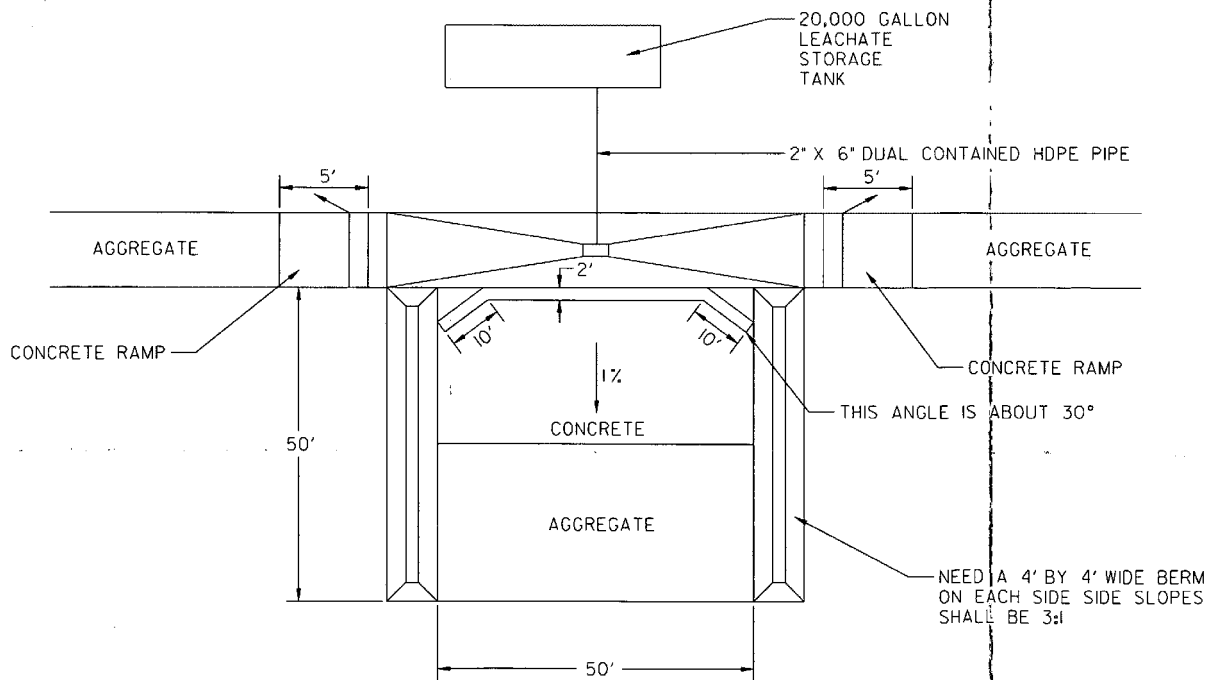
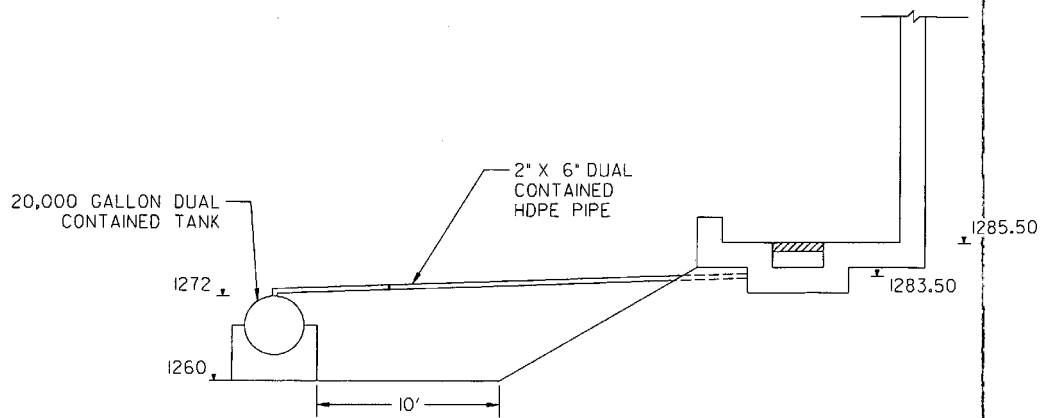
- EXISTING CONTOUR (10' INDEX)
- EXISTING CONTOUR (2' INTERMEDIATE)
- WATER SURFACE CONTOUR
- PROPOSED CONTOUR
- ACCESS ROAD (GRAVEL)
- EXISTING CHAIN LINK FENCE
- EXISTING 3-STRAND BARB-WIRE FENCE
- EXISTING STORM DRAIN CULVERT
- SPOT ELEVATION
- EXISTING TANK OR COMMERCIAL STRUCTURE
- EXISTING POWER POLE
- EXISTING POST
- STATE PLANE COORDINATE GRID (500' SPACING)
- SOLID WASTE FACILITY BOUNDARY
- INTERMEDIATE CONTOURS
- PHASE OUTLINE
- EX-1 = EXTRACTION WELL NOJ
- GP-1 = GAS PROBE NOJ
- MW-1 = GROUNDWATER WELL NOJ
- NOJIES

1. EXISTING AERIAL TOPOGRAPHIC MAP INFORMATION PROVIDED BY AM ENGINEERING, INC. AND COMPILED FROM AERIAL PHOTOGRAPHY DATED DECEMBER 26, 2006.
2. PROPERTY BOUNDARY WAS TAKEN FROM TONTITOWN CLASS I LANDFILL PERMIT DRAWINGS, PERMIT NO. 0290-SH-R, DATED MAY 2004 REVISED SEPTEMBER 2005
3. PHASE CONSTRUCTION AND DEVELOPMENT SUBJECT TO CHANGE BASED ON OPERATIONAL CONSTRAINTS.

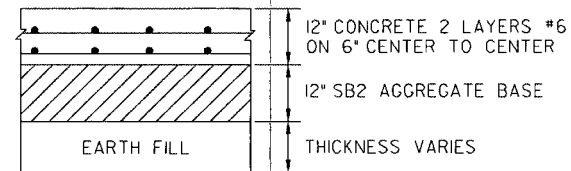
STATE OF ARKANSAS
 REGISTERED PROFESSIONAL ENGINEER
 No. 10836
JEFFREY A. SHEPHERD

Jeffrey A. Shepherd
1/14/08

<input type="checkbox"/> CLIENT APPROVED <input type="checkbox"/> CLIENT APPROVED AS NOTED	09/18 09/18
REVISIONS NO. DATE DESCRIPTION	
1208 West Clearfork Blvd Oklahoma City, OK 73118 DRN: BRIS LES: ENIG CME: JAS JWP: JAS	Project (480) 996-5381 Fax (480) 488-2024
	
WASTE MANAGEMENT OF ARKANSAS, INC. TONTITOWN CLASS I LANDFILL TRANSFER STATION LAYOUT WASHINGTON COUNTY, ARKANSAS	
TRANSFER LAYOUT PLAN	
DATE: OCTOBER 2007 PROJECT NO.: 878861 FILENAME: DRAWING NO.:	1 of 3



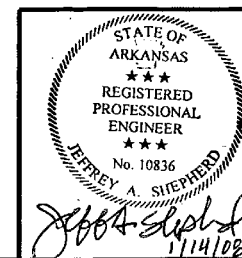
CROSS SECTION A-A



PAVEMENT SECTION

NOTES:

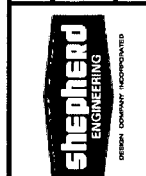
- 1) CONCRETE SHALL BE 3500 PSICONCRETE
- 2) AGGREGATE SHALL BE COMPACTED TO 100% COMPACTION OF STANDARD PROCTOR
- 3) EARTH FILL SHALL BE COMPACTED TO A MINIMUM OF 95% OF THE STANDARD PROCTOR.



CLIENT APPROVED:	DATE
CLIENT APPROVED AS NOTED:	DATE

NO.	DATE	DESCRIPTION

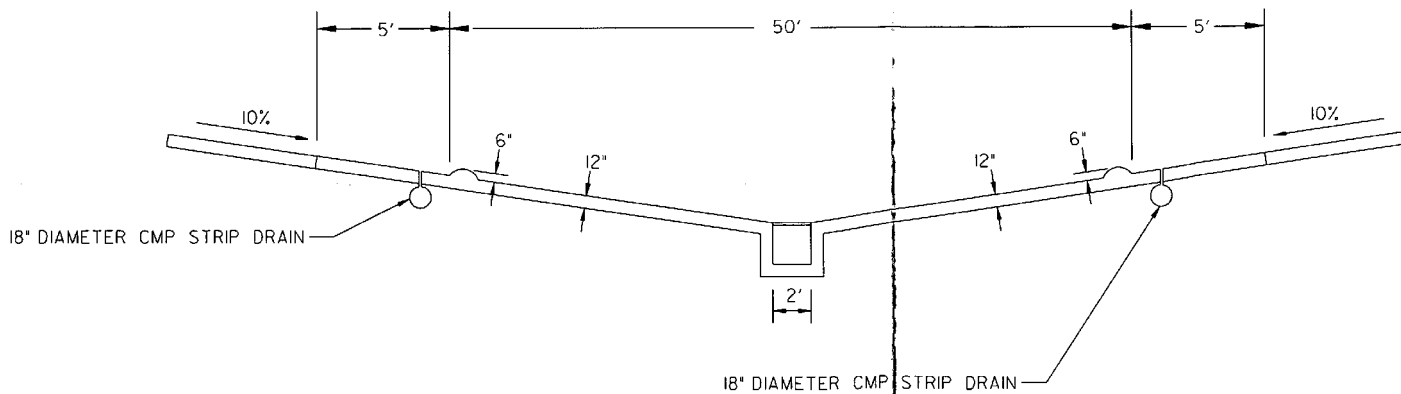
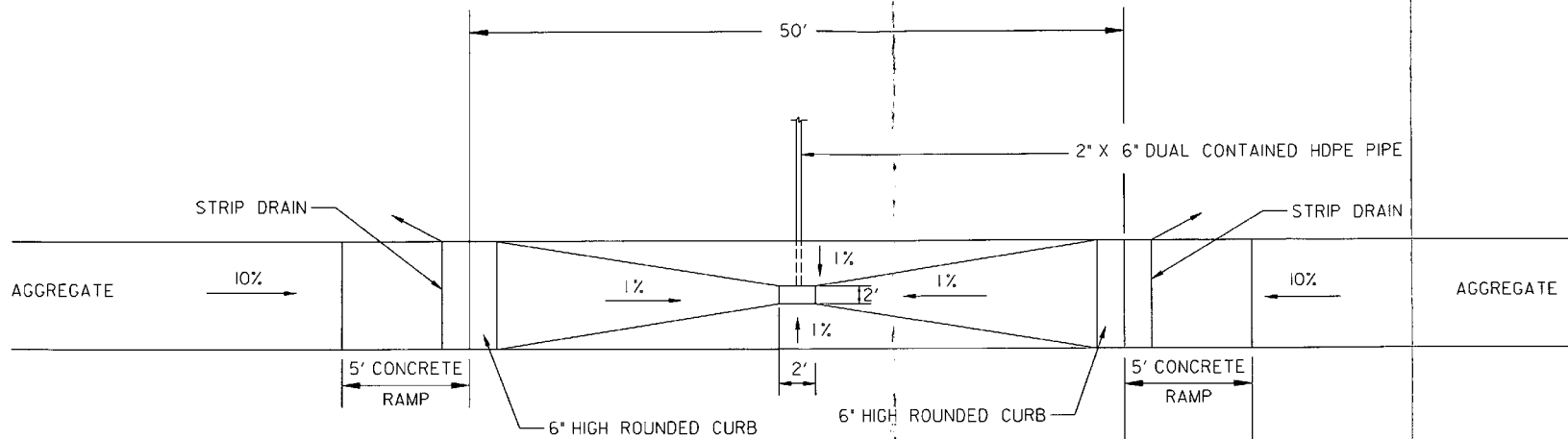
4388 North Classen Blvd. Dulles, VA 20146	DRN	RES	DES	CHK	APP	DATE



WASTE MANAGEMENT OF ARKANSAS, INC.
TONTOWN LANDFILL
MINOR PERMIT MODIFICATIONS
WASHINGTON COUNTY, ARKANSAS

DETAILS 1

DATE:	OCTOBER 2007
PROJECT NO.:	070803
FILENAME:	
DRAWING NO.:	



CLIENT APPROVED: _____ DATE: _____
 CLIENT APPROVED AS NOTED: _____ DATE: _____

NO.	DATE	DESCRIPTION

4388 North Gleason Blvd.
 Oklahoma City, OK 73118
 DRN: RRS
 DES: KHA
 CHK: JAS
 APP: JAS
 Phone: (405) 946-5381
 Fax: (405) 485-9829



WASTE MANAGEMENT OF ARKANSAS, INC.
 TONTOWN LANDFILL
 MINOR PERMIT MODIFICATIONS
 WASHINGTON COUNTY, ARKANSAS

DETAILS 11

STATE OF ARKANSAS
 REGISTERED PROFESSIONAL ENGINEER
 No. 10836
 JEFFREY A. SHEPHERD

Jeffrey A. Shepherd
 1/14/08

DATE: OCTOBER 2007
 PROJECT NO.: 0708043
 FILE NAME:
 DRAWING NO:
 3 of 3

**ATTACHMENT C
OPERATING PLAN**



**TRANSFER STATION
OPERATING PLAN**

TONTITOWN TRANSFER STATION

**ADEQ PERMIT NO.: 0023-STSW-CM
AFIN 72-00144**

Prepared for:

Waste Management of Arkansas
2210 Waste Management Drive
Springdale, AR 72762

Prepared by:

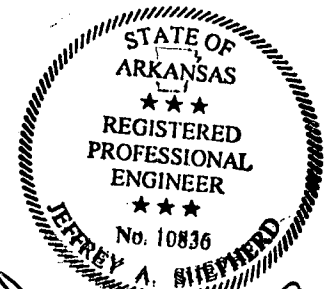
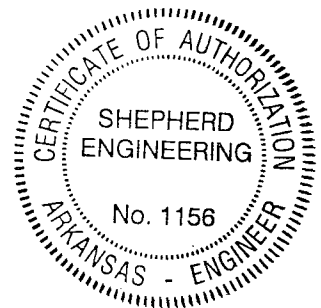
Shepherd Engineering Design Co., Inc.
4308 North Classen Blvd.
Oklahoma City, OK 73118
Phone: (405) 996-5301
Fax: (405) 488-0029

AR P.E. No.:10836

AR CA No.:1156



DESIGN COMPANY INCORPORATED



Jeffrey A. Shepherd
1/14/08

Tontitown Transfer Station
 Operating Plan
 ADEQ Permit No.: 0023-STSW-MC
 AFIN No.: 72-00144

TABLE OF CONTENTS

1.0 INTRODUCTION AND PURPOSE..... 1

1.1 Facility Location and Service Area 1

1.2 Regulatory Requirements and Authority 1

2.0 FACILITY OPERATION PLAN 2

2.1 Hours of Operation..... 2

2.2 Access Control, Signs, and Security 2

2.3 Facility Supervision, Personnel and Training..... 2

2.4 Ultimate Disposal of Solid Waste 3

2.5 Waste Processing Areas..... 3

2.6 Solid Waste Receipt and Measurement 4

2.7 Record Keeping and Reporting 4

2.8 Acceptable Waste 4

2.9 Asbestos Waste 5

2.10 Unapproved Waste Exclusion and Contingency Plan 5

2.11 Control of Litter, Insects, Odors and Vectors 5

2.12 Facility Maintenance and Equipment..... 6

2.13 Stormwater Drainage 6

2.14 Fire Protection Procedures..... 6

2.15 Facility Safety Hazards and PPE..... 7

APPENDICES

Appendix A – Solid Waste Permit

Appendix B – Tontitown Transfer Station Load Inspection Form

OPERATING PLAN

WASTE MANAGEMENT OF ARKANSAS, INC. TONTITOWN TRANSFER STATION SPRINGDALE, ARKANSAS

ADEQ PERMIT NO.: 0023-STSW-MC
AFIN NO.: 72-00144

SEDCo Project No. 07010028
JANUARY 2008

1.0 INTRODUCTION AND PURPOSE

The following information constitutes an Operating Plan (OP) for the Tontitown Transfer Station (TTS) and is intended to provide a reference and directive for operators and maintenance personnel. Specifically this OP provides specific information and procedures to assist TTS personnel in safely and effectively operating, maintaining and monitoring the TTS in accordance with the facility's solid waste permit and *Arkansas Regulation 22*.

1.1 Facility Location and Service Area

The TTS is located approximately 4 miles south of Highway 412 on Arbor Acres Road. The TTS is located at 2210 Waste Management Drive at the existing Tontitown Class I Landfill. The TTS provides service to Washington, Benton, Madison Carroll, and Crawford counties in Arkansas; Delaware County in Oklahoma; McDonald County in Missouri.

1.2 Regulatory Requirements and Authority

The OP has been developed to comply with the requirements for solid waste transfer stations as detailed in *Arkansas Regulation 22.904* (Operational Requirements) and the TTS Individual *Solid Waste Permit (APPENDIX A)*. Enforcement of these provisions is administered by the Arkansas Department of environmental Quality (ADEQ) Solid Waste Management Division (SWMD).

Tontitown Transfer Station
Operating Plan
ADEQ Permit No.: 0023-STSW-MC
AFIN No.: 72-00144

2.0 FACILITY OPERATION PLAN

The following section describes specific operational procedures for the TTS as required by *Arkansas Regulation §22.904*.

2.1 Hours of Operation

The TTS is open between 8:00 a.m. until 5:00 p.m. Monday through Friday and 8:00 a.m. to 12:00 p.m. on Saturday. The TTS is closed on Sunday and on all major holidays.

2.2 Access Control, Signs, and Security

There is one convenient access from Arbor Acres Road to the TTS. Access to the TTS is controlled via a gated entrance and the potential for unauthorized access and/or waste disposal is minimal.

The hours of operation and emergency phone numbers for the TTS are posted on signs at the main entrance. In addition, numerous signs directing TTS customers and traffic are posted around the facility's one way road and operational building.

The majority of the TTS facility is surrounded with a security fence to control access to the site. There is only one gate into the facility and it is locked when the facility is closed. Key contacts related to the management and operations of the TTS are provided in Section 2.3. The contact number for the TTS is (479) 361-2069 during working hours.

2.3 Facility Supervision, Personnel and Training

The following individuals have management authority regarding the daily operations at the TTS. The listed personnel are available to assist clients and regulatory agencies regarding all waste management needs and concerns for the TTS facility.

Tontitown Transfer Station General Manager:

Kevin Gardner
2210 Waste Management Drive
Springdale, AR 72762
Phone: (479) 361-1111
Fax: (479) 361-1103

Tontitown Transfer Station
Operating Plan
ADEQ Permit No.: 0023-STSW-MC
AFIN No.: 72-00144

Tontitown Transfer Station Site Manager

Kirby Thompson
2210 Waste Management Drive
Springdale, AR 72762
Phone: (479) 361-2069
Fax: (479) 361-5934

The following operational personnel positions have specific job functions at the TTS. These individuals report directly to the Site Manager.

- *TTS Equipment Operator*
 - *Responsible for operations when Site Manager is unavailable.*
 - *Responsible for Loader and Day to Day Operations;*

- *TTS Office Manager*
 - *Logs incoming vehicles and provides directions to customers.*
 - *Acts as Customer Liaison.*

The Solid Waste Licensing Program is administered by the ADEQ under the authority of *Arkansas Regulation 27*. All operators at the facility are trained and licensed in accordance with the *Regulation 27* requirements. TTS employees are also required to receive training in hazardous waste recognition and personal safety. The documentation of personnel training is maintained as part of the TTS personnel record. The number of personnel and/or positions at the TTS is subject to change.

2.4 Ultimate Disposal of Solid Waste

The TTS serves the counties of Washington, Benton, Madison, Carroll and Crawford in Arkansas; Delaware County in Oklahoma; and McDonald County in Missouri. Currently, all solid waste received at the TTS is transferred for disposal to the Tontitown Class I Landfill in Tontitown, Arkansas or the Ozark Ridge Class I Landfill in Danville, Arkansas. Both Tontitown Class I Landfill and Ozark Ridge Class I Landfill are WMAR owned and operated Class I solid waste landfills that are permitted for operations by the ADEQ (Permit No.: 0290-S1-R2 and 0225-S1-R5).

2.5 Waste Processing Areas

The TTS has a dedicated tipping area (See Permit Drawings) for solid waste collection vehicles. Loaded waste collection trucks or private vehicles are received at the TTS office where the volume of waste is weighed. After the trucks are weighed, they are directed to

Tontitown Transfer Station
Operating Plan
ADEQ Permit No.: 0023-STSW-MC
AFIN No.: 72-00144

the tipping floor where it is unloaded. After inspection, the waste is either directly loaded to a waiting transfer truck/trailer or it is stockpiled until a transfer vehicle becomes available.

The TTS currently uses 100-yard trailers or various size roll-off containers to transfer waste to the landfill. The TTS will transfer all solid waste to the landfill by the end of each business day. Loads not taken to the landfill at the end of the day will be tarped.

2.6 Solid Waste Receipt and Measurement

All incoming waste at the TTS is currently weighted using a truck scale located at the entrance to the facility. Detailed records regarding the quantity of waste received and its source (i.e. industrial, commercial, etc.) shall be maintained for review and inspection by ADEQ personnel and is reported every year as part of the Annual Engineering and Inspection Report (AEIR). The quantities of recyclable materials removed from the waste stream shall also be recorded along with the volume (or tonnage) of waste materials transferred to the landfill.

2.7 Record Keeping and Reporting

As required by the *ADEQ Individual Transfer Station Solid Waste Permit* and *Arkansas Regulation 22*, design and operational records are to be maintained at the site for review by ADEQ personnel. Specifically, all reports, data, documents, and information pertaining to the design, operation, and monitoring of the TTS are maintained in these files including this OP.

2.8 Acceptable Waste

Chapter 7 and *Section 22.412* of *Arkansas Regulation 22* establish restrictions and standards for waste materials that can be accepted at different types of solid waste disposal facilities. Specifically, *Chapter 7* describes special waste materials requiring special handling and disposal procedures. *Section 22.412* of *Arkansas Regulation 22* establishes standards and protocol for restricting the receipt of hazardous materials. The TTS conducts random inspection of waste loads at a minimum of once per day. A copy of the TTS Load Inspection Report is included in **APPENDIX B**.

The TTS accepts a wide variety of Class 1 waste materials as defined in *Arkansas Regulation 22*. More specifically, Class 1 waste materials are described as follows:

- Class 1 waste: non-hazardous household, commercial, and industrial solid waste, and small quantities of conditionally exempt hazardous wastes; and

Tontitown Transfer Station
Operating Plan
ADEQ Permit No.: 0023-STSW-MC
AFIN No.: 72-00144

- *Class 4 waste as defined in Arkansas Regulation 22.*

Certain waste materials are not permitted for disposal at the Tontitown Class I; Class 4; Ozark Ridge Class I Landfill and therefore are not accepted at the Tontitown Transfer Station. These materials include hazardous waste, liquid waste, and medical waste as defined by *Arkansas Regulation 22*. Some other materials may be received at the TTS but require special handling or processing. These items include used tires, industrial (special) waste, and asbestos. All paperwork and recordkeeping regarding special waste will be made a part of the TTS operating record.

2.9 Asbestos Waste

The TTS does accept asbestos waste if contacted by clients in advance. Loads containing asbestos will be segregated from other waste. The asbestos will be delivered directly to the TTS waste disposal facility where it can be handled in a safe manner in accordance with the landfill's procedures and *Arkansas Regulation 22.702*. Asbestos received at the TTS must comply with all packing and labeling requirements in accordance with *Arkansas Regulation 21*.

2.10 Unapproved Waste Exclusion and Contingency Plan

Questionable wastes which cannot be identified will not be accepted for disposal. The hauler responsible for the waste will be contacted and will be asked to identify the source of the waste. The waste will then be removed from the site by the hauler or the characteristics of the waste will be identified by the generator to confirm that the waste is acceptable for disposal. If the hauler cannot be identified, TTS shall have the waste characterized by a qualified laboratory. In the event the waste is not acceptable, handling and disposal shall be in accordance with appropriate regulations. The ADEQ will be contacted if hazardous waste is encountered at the TTS.

2.11 Control of Litter, Insects, Odors and Vectors

Blown litter, odors, and insects are minimized through the tarping of waste during periods of inactivity. Additionally, TTS personnel are utilized on a regular-basis to pick up stray litter around the TTS. Because all waste is typically transferred at the end of a working day, there is very little potential for vectors, insects, and odors to reach nuisance levels.

Tontitown Transfer Station
Operating Plan
ADEQ Permit No.: 0023-STSW-MC
AFIN No.: 72-00144

2.12 Facility Maintenance and Equipment

The TTS performs routine maintenance on a daily basis. Maintenance consists of washing or sweeping down the tipping floor and picking up stray litter. Water that is used to clean machinery and the tipping floor is collected into the TTS facility leachate collection systems which consist of a system of drains, pipes, and a leachate storage tank. The TTS leachate storage tank is checked daily and once full is hauled to the City of Springdale Waste Water Treatment Plant.

The TTS also performs routine maintenance on equipment that is used to load and transfer solid waste in accordance with the manufacturer's recommendations. The TTS will utilize a loader and rubber tire track hoe (or other equivalent type of equipment) to move waste from the tipping floor to transfer vehicles.

2.13 Stormwater Drainage

The TTS is permitted under the *ADEQ General Industrial Stormwater Permit for Transfer Stations (Tracking Number ARR000231)*. In accordance with the permit, a stormwater pollution prevention plan (SWPPP) has been prepared for the site. The SWPPP includes best management plans (BMP) which will reduce the impact of transfer station activities on stormwater runoff from the TTS.

As designed, all stormwater that is collected in the transfer station during the open hours (Monday – Saturday) is considered leachate. On Saturday afternoon, the TTS will be cleaned and will not be open for waste until Monday. Since the TTS is thoroughly cleaned, water collected on Saturday afternoon through Monday morning will be treated as clean stormwater.

2.14 Fire Protection Procedures

Fire prevention and response is an important part of transfer station operations. The potential for fires at the TTS is kept low by insuring that the quantity of waste onsite at any given time is kept at a minimum. However, TTS employees have equipment to respond to small fires if they arise. This equipment includes five fire extinguishers posted within the transfer station facility, small extinguishers on all TTS equipment, and water hoses. TTS employees are to contact the Springdale Fire Department immediately if there is any danger to human life or the TTS facility. The contact number for the Springdale Fire Department (479) 751-4510 is posted in the TTS office to provide a quick response should a fire occurs.

Tontitown Transfer Station
Operating Plan
ADEQ Permit No.: 0023-STSW-MC
AFIN No.: 72-00144

2.15 Facility Safety Hazards and PPE

Identified safety hazards at the TTS include the potential for exposure to waste and pathogens that could adversely impact human health and the environment. Additionally, TTS workers must also be aware of moving machinery and the potential for falling trash from loaders or trucks.

The TTS maintains a WMAR specific Emergency Action Plan and an Emergency Response Plan for TTS operations. TTS employees are required to wear the following PPE at all times while outside of the TTS office:

- Hard Hat (Protection from falling debris, Extra head protection during loading/unloading of trash);
- Safety Glasses (Protects from any flying debris or liquids splashing hazard during trash loading/unloading);
- Reflective Safety Vest (Makes STS employees more obvious to equipment operators to prevent accidents); and
- Protective Gloves. (Prevents contact with solid waste that may contain sharp objects or infectious/hazardous agents).

**APPENDIX A
SOLID WASTE PERMIT**

ADEQ

ARKANSAS
Department of Environmental Quality

March 13, 2007

Waste Management-Tontitown LF, LLC
Attn: Scott Tarkington
2210 Waste Management Drive
Springdale, AR 72762

**RE: Coverage Under General Permit for
WM Tontitown Transfer Station
Solid Waste Permit 0023-STSW-MC; AFIN 72-00144
Document Identifier# 44177; Cross Reference Identifier 34615**

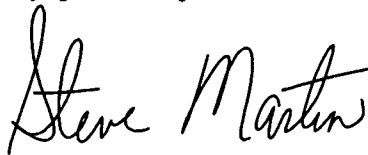
Dear Mr. Tarkington:

Waste Management of Arkansas is hereby granted coverage under the General Permit for the operation of an existing Transfer Station Facility located in Springdale, Arkansas. Permit tracking number 0023-STSW-MC has been assigned to the facility.

Please note that compliance with the terms and conditions of the general permit and the provisions of Regulation 22, and the submitted operations and design narratives and drawings (Reference Identifier: 34615) is required at all times. Please note the above reference numbers assigned to your facility. Use these numbers on all correspondence and submittals related to the facility. Please be reminded that periodic reporting is required by the general permit and that annual permit fees will be due in each calendar year hereafter.

If you have any questions, please call Ali Dorobati at (501) 682-0603.

Sincerely,



Steve Martin; Chief, SWMD

Enclosures: General Permit for the Operation of a Solid Waste Transfer Station

CC: Bryan Leamons, Engineer Supervisor, SWMD
Susan Speake, Programs Branch, SWMD
Harry Elliott, Enforcement Branch, SWMD
Jim Purvis, Fiscal Division, ADEQ
Justin Sparrow; Inspector, SWMD

Facility: Waste Management of Arkansas Transfer Station Facility
AFIN: 72-00144
Permit Number: 0023-STSW-MC

CERTIFICATE OF SERVICE

I, Mona P. Amen, hereby certify that a copy of this permit has been mailed by first class mail to Scott Tarkington, 2210 Waste Management Drive, Springdale, AR 72784 on or before this 15th day of March, 2007.

APPENDIX B
TTS LOAD INSPECTION FORM

Random Inspections

Date	Plate	Hauler	Driver
Source		Rejected Items	
Declared Class		Actual Class	By

Date	Plate	Hauler	Driver
Source		Rejected Items	
Declared Class		Actual Class	By

Date	Plate	Hauler	Driver
Source		Rejected Items	
Declared Class		Actual Class	By

Date	Plate	Hauler	Driver
Source		Rejected Items	
Declared Class		Actual Class	By

Date	Plate	Hauler	Driver
Source		Rejected Items	
Declared Class		Actual Class	By

Date	Plate	Hauler	Driver
Source		Rejected Items	
Declared Class		Actual Class	By



4308 N. CLASSEN BLVD.
OKLAHOMA CITY, OK 73118

UNITED STATES POSTAGE
141 PB3376700
9010 \$01.65 JAN 15 08
2543 MAILED FROM ZIP CODE 73118

Arkansas D.E.Q.
Mr. Steve Martin
PO Box 8913
Little Rock, AR 72219-8913

