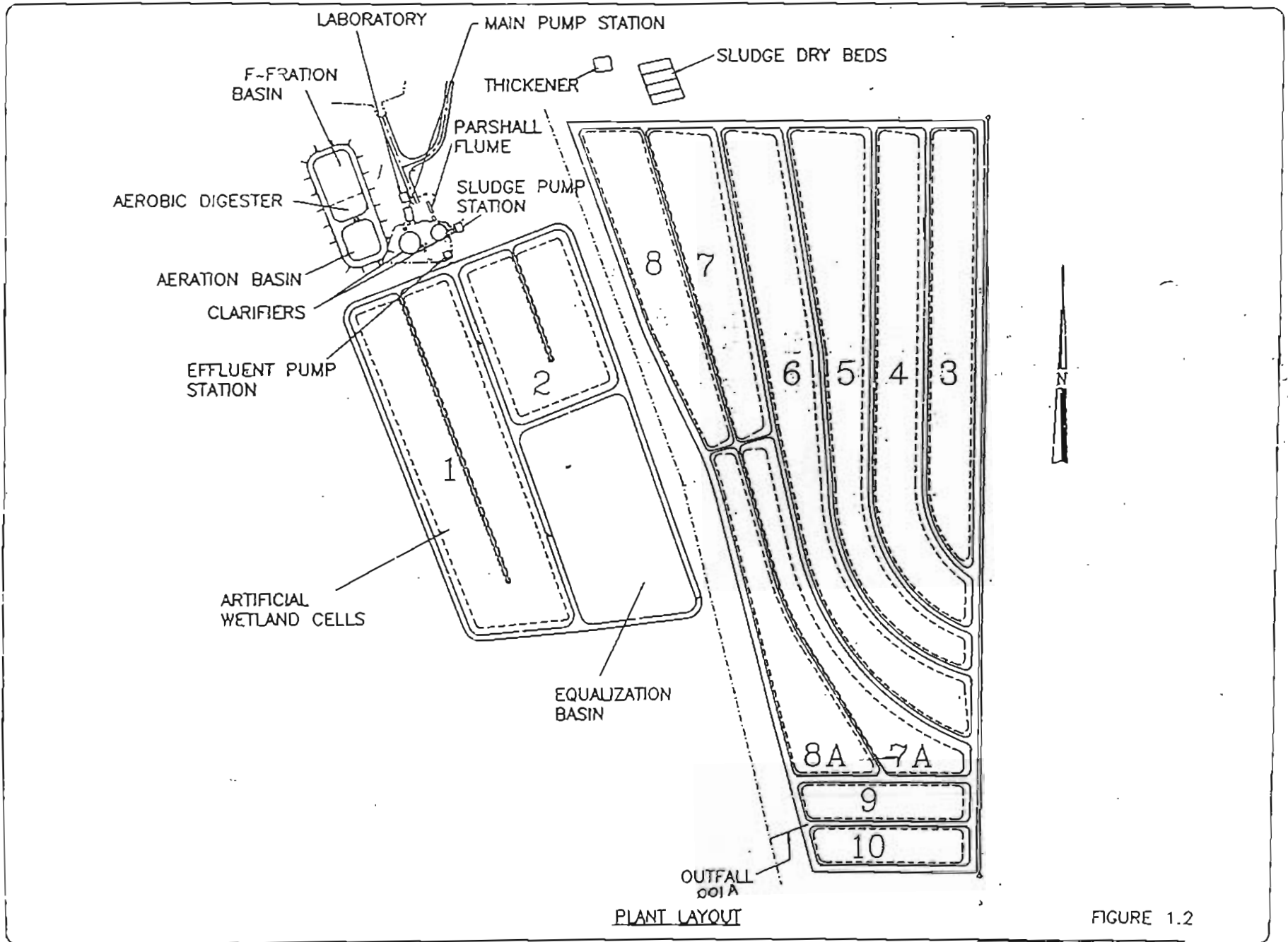
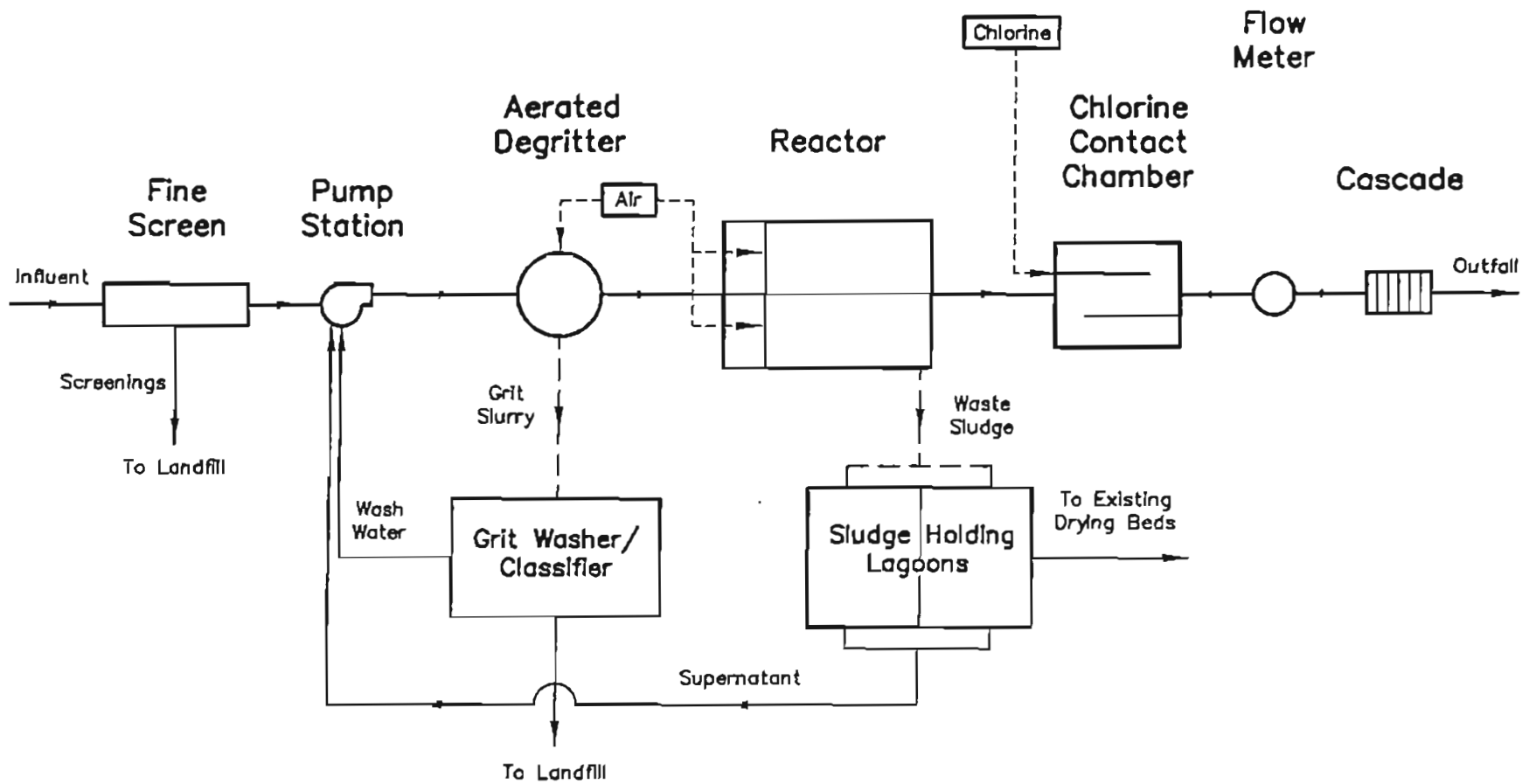


BOONEVILLE WASTEWATER TREATMENT FACILITY, BOONEVILLE, ARKANSAS





PROCESS FLOW DIAGRAM
BOONEVILLE WASTEWATER TREATMENT PLANT

No Scale